


MOTO GUZZI®

SPARE PARTS CATALOGUE



V9 Roamer 850 e4 ABS 2018-2020 (EMEA)

Chassis prefix: ZGULHG00

Engine prefix:

Index

Finished products.....	4
Alphanumeric index.....	5
Frame.....	10
Table 01.010 - Frame.....	10
Table 01.020 - Foot rests.....	11
Table 01.030 - Central stand.....	12
Table 01.040 - Protection.....	13
Table 01.050 - Swing arm.....	14
Body.....	15
Table 02.030 - Front mudguard-Pillar.....	15
Table 02.050 - Windshield.....	16
Table 02.100 - Central body.....	17
Table 02.120 - Saddle.....	18
Table 02.150 - Rear mudguard.....	19
Table 02.170 - Locks.....	20
Table 02.180 - Plate set / Various.....	21
Table 02.190 - Decal.....	22
Engine.....	23
Table 03.010 - Engine-Completing part-Lever.....	23
Table 03.020 - Gear lever.....	24
Table 03.030 - Crankcases I.....	25
Table 03.050 - Air box.....	26
Table 03.060 - Throttle body.....	27
Table 03.090 - Head cover.....	28
Table 03.100 - Cylinder head - valves.....	29
Table 03.120 - Timing system.....	30
Table 03.150 - Cylinder - Piston.....	32
Table 03.160 - Drive shaft.....	33
Table 03.170 - Gear box / Selector / Shift cam.....	34
Table 03.180 - Gear box - Gear assembly.....	36
Table 03.190 - Lubrication.....	38
Table 03.196 - Blow-by system.....	40
Table 03.230 - Clutch.....	41
Table 03.270 - Flywheel cover.....	43
Table 03.290 - Starter / Electric starter.....	44
Table 03.300 - Cdi magneto assy / Ignition unit.....	45
Table 03.320 - Secondary air.....	46
Table 03.330 - Exhaust pipe.....	47
Table 03.340 - Transmission complete.....	48
Table 03.350 - Rear transmission / Components.....	49
Suspensions.....	51
Table 04.060 - Front fork Kaifa.....	51
Table 04.080 - Shock absorber.....	52

Wheels.....	53
Table 05.010 - Front wheel.....	53
Table 05.020 - Rear wheel.....	54
Brake system.....	55
Table 06.010 - Front master cilinder.....	55
Table 06.020 - Front brake caliper.....	56
Table 06.030 - Rear master cylinder.....	57
Table 06.040 - Rear brake caliper.....	58
Table 06.050 - ABS Brake system.....	59
Handlebar - Controls.....	60
Table 07.010 - Steering.....	60
Table 07.020 - Handlebar - Controls.....	61
Table 07.030 - Clutch control.....	62
Lights - Instruments.....	63
Table 08.010 - Front lights.....	63
Table 08.020 - Instruments.....	64
Table 08.030 - Rear lights.....	65
Tank.....	67
Table 09.010 - Fuel tank.....	67
Table 09.020 - Fuel vapour recover system.....	68
Electrical systems.....	69
Table 11.010 - Front electrical system.....	69
Table 11.020 - Central electrical system.....	70
Table 11.030 - Rear electrical system.....	71

Finished products

Code	Validity
GU9032254ECJ01	
GU9032254ECJ02	
GU9032254EUJ00	
GU9032254EUJ01	
GU9032254EUJ02	
GU9032254GBJ01	
GU9032254GBJ02	
GU9K32254EUJ01	
GU9K32254EUJ02	
GU9K32254GBJ01	
GU9K32254GBJ02	

Code	No. table	Pos.	Code	No. table	Pos.	Code	No. table	Pos.
006630	03.270	8	1A0066690V	03.160	8	2A000527	03.120	27
013763	03.190	14	1A006671AA	03.160	7	2A000528	03.120	8
013763	08.020	7	1A006671BB	03.160	7	2A000565	03.090	1
070286	08.030	30	1A006716	03.090	4	2A000579	03.120	5
070286	11.030	3	1A006860	03.030	19	2A000591	03.170	37
080341	11.020	19	1A006861	03.120	16	2A000597	03.320	3
1A000360	03.180	7	1A0068695	03.100	10	2A000608	03.060	8
1A000365	03.180	16	1A0068705	03.100	11	2A000609	03.060	3
1A000366	03.180	22	1A0068960B	03.160	2	2A000612	03.060	7
1A000367	03.180	27	1A0068960G	03.160	2	2A000620	03.090	6
1A000368	03.180	28	1A0068960R	03.160	2	2A000627	03.180	13
1A000369	03.180	29	1A0069335	03.030	21	2A000629	03.180	30
1A000370	03.180	25	1A007008	03.190	22	2A000631	03.230	21
1A000436	03.180	10	1A007070	03.150	2	2A000633	03.190	5
1A000566	03.180	4	1A007111	03.150	9	2A000638	03.230	30
1A002604	03.180	24	1A008576	03.120	25	2A000659	03.090	2
1A002604	03.180	9	1A008627	03.230	12	2A000724	03.230	4
1A003444	11.020	14	1A008732	03.090	3	2A000727	03.180	5
1A003452	03.100	5	1A009346	03.120	29	2A000741	03.230	31
1A004442	03.190	15	1A010701	03.120	1	2A000770	03.230	28
1A004530	03.030	10	1A010730	03.120	6	2A000774	03.230	6
1A004549	03.190	11	1A010839	11.020	5	2A000792	03.230	7
1A004550	03.030	1	1A011206	03.030	21	2A000823	03.170	43
1A004660	03.100	1	1A0112315	03.010	1	2A000823	03.350	22
1A004661	03.100	1	1A014685	03.230	13	2A000838	03.230	23
1A004662	03.100	1	1A014844	03.190	10	2A0009085	03.170	19
1A004750	03.100	8	1C001499	01.030	8	2A0009105	03.170	6
1A004751	03.100	4	1C001499	05.020	18	2A0009145	03.170	1
1A004752	03.100	6	1D001393	03.060	2	2B000215	03.330	15
1A004903	03.120	13	1D001450	09.010	8	2B000219	09.020	11
1A004905	03.120	12	1D001549	11.010	7	2B000221	11.010	3
1A004907	03.120	14	1D002259R	11.010	2	2B000404	03.350	2
1A004953	03.150	8	1R000319	11.030	9	2B000525	06.040	1
1A004954	03.150	7	224566	03.170	44	2B001009	03.020	15
1A004955	03.150	6	224566	03.350	8	2B001035	01.010	17
1A004956	03.150	5	237553	03.190	12	2B001052	07.010	3
1A005199	03.190	3	254485	03.330	19	2B001055	01.010	1
1A005211	03.030	2	254485	11.010	5	2B001058	05.010	5
1A005257	03.190	13	285536	03.170	3	2B001073	05.010	9
1A005325AA	03.160	6	285536	03.190	24	2B001139	05.010	1
1A005325BB	03.160	6	292022	08.010	3	2B001141	02.030	1
1A005424	03.100	2	292723	08.010	2	2B001147	02.030	2
1A005425	03.100	9	2A000097	03.170	41	2B001148	07.020	12
1A005712	03.120	1	2A000115	03.300	5	2B0011535	03.340	1
1A0057145	03.120	24	2A000129	03.300	4	2B001154	08.020	3
1A005951	03.120	7	2A000203	03.180	20	2B001163	07.020	1
1A005955	03.120	19	2A000216	03.230	8	2B001182	08.010	17
1A006047	03.030	4	2A000219	03.170	12	2B001223	08.020	2
1A006053	03.190	27	2A000222	03.170	38	2B001231	08.010	16
1A006119	03.120	22	2A000224	03.170	20	2B001279	05.020	7
1A006127	03.120	23	2A000225	03.170	23	2B001301	01.050	1
1A006243	03.120	21	2A000226	03.170	21	2B001303	03.350	25
1A006272AA	03.150	1	2A000227	03.170	22	2B001307	03.350	11
1A006272BB	03.150	1	2A000241	03.170	28	2B001310	05.020	1
1A006272CC	03.150	1	2A000241	03.180	32	2B001311	03.350	3
1A006272DD	03.150	1	2A000306	03.170	27	2B001406	02.150	1
1A006283	03.030	17	2A000375	03.230	14	2B001406500XN2	02.150	1
1A006284	03.030	18	2A000376	03.230	16	2B001561	05.010	17
1A006298	03.270	4	2A000378	03.230	32	2B001564	06.050	17
1A006655	03.030	8	2A000384	03.230	18	2B001612	01.010	16
1A006656	03.030	7	2A000385	03.230	19	2B001614	06.050	14
1A006659	03.100	12	2A000415	03.170	24	2B001629	09.010	1
1A0066680G	03.160	3	2A000418	03.230	29	2B001708	05.010	18
1A0066680N	03.160	3	2A000419	03.230	1	2B001783	02.100	5
1A0066680V	03.160	3	2A000467	03.170	15	2B001823	03.060	12
1A0066690G	03.160	8	2A000496	03.120	4	2B001929	06.010	6
1A0066690N	03.160	8	2A000521	03.120	9	2B001930	06.010	4

Code	No. table	Pos.	Code	No. table	Pos.	Code	No. table	Pos.
2B001935	03.330	24	2B002936	02.170	5	2B004824	02.030	4
2B001941	03.020	18	2B002937	01.040	10	2B004827	03.020	8
2B001956	05.020	13	2B002943	01.040	9	2B004828	03.020	10
2B002011	08.010	11	2B002944	09.010	6	2B0048515	03.330	2
2B002171	01.020	21	2B002959	03.050	14	2B0048525	03.330	1
2B002171	03.350	27	2B003039	06.010	5	2B004942	03.020	11
2B002189	06.030	9	2B003040	06.010	3	2B004960	03.020	9
2B002192	04.060	1	2B003041	06.010	2	2B005012	03.350	1
2B002195	07.020	7	2B003042	09.020	3	2B005143	01.020	11
2B002200	03.350	15	2B003052	11.020	13	2B005184	02.170	4
2B002205	01.050	6	2B003056	06.050	2	2B007243	03.350	28
2B002218	01.020	1	2B003076	01.020	4	2B007759	03.350	25
2B002219	01.020	2	2B003077	01.020	3	2D000024	03.300	1
2B002225	01.020	5	2B003078	01.010	12	2D000102	06.050	1
2B002269	06.010	1	2B003105	03.196	3	2D000163	07.020	19
2B002294	04.060	3	2B003111	04.080	2	2D000209	11.010	1
2B002295	04.060	2	2B003164	08.010	13	2D000209	11.020	1
2B002298	03.340	2	2B003165	08.010	14	2D000209	11.030	1
2B002311	01.010	21	2B003204	03.196	2	2D000218	07.020	20
2B002311	02.150	4	2B003212	01.050	5	2D000226	07.020	3
2B002313	07.010	13	2B003271	06.020	1	2D000227	07.020	2
2B002364	07.020	5	2B003284	03.330	25	2D000245	11.030	2
2B002365	08.030	1	2B003292	07.010	15	2D000255	08.030	11
2B002366	08.030	29	2B003306	02.180	2	2D000256	08.030	12
2B002378	01.040	2	2B003313	06.020	6	2D000261	08.010	4
2B002380	05.010	4	2B003336	06.030	3	2D000262	08.010	5
2B002381	05.020	2	2B003348	03.020	3	2D0002805	06.030	14
2B002386	02.150	3	2B003357	06.040	3	2D0002885	07.030	9
2B002390	07.030	2	2B003363	02.190	6	2D000355	11.020	21
2B002391	07.030	1	2B003367	08.020	6	2D000386	08.010	1
2B002443	08.030	3	2B0033875	03.350	23	2D000437	08.030	2
2B002448	05.020	3	2B003422	01.050	7	2D000449	08.020	1
2B002471	07.020	13	2B003742	04.060	14	2H001255	02.190	3
2B002483	08.030	4	2B003743	07.010	1	2H001256	02.190	4
2B002484	08.030	7	2B004021000C1	02.120	1	2H001259	02.190	5
2B002486	09.010	9	2B004077	01.020	12	2H001260	02.190	1
2B002494	02.170	9	2B004172	01.020	13	2H001445	02.190	2
2B002529	03.320	7	2B004174	11.020	12	2H002385500XHB	09.010	1
2B002530	03.320	9	2B004219	01.010	22	2H002385500YV5	09.010	1
2B002531	03.320	8	2B004276	02.170	2	2H002386500XN2	02.030	1
2B002532	03.330	13	2B004396R	05.020	15	2Q000348	02.180	1
2B002533	03.330	12	2B004457	06.050	22	2R000109	04.060	7
2B002535	03.350	24	2B004458	06.050	26	2R000110	04.060	23
2B002536	03.350	18	2B004530	02.170	1	2R000243	04.060	19
2B002541	08.030	21	2B004546	03.330	5	2R000248	06.040	5
2B002567	09.010	7	2B004547	03.330	6	478533	11.020	11
2B002602	03.196	4	2B004560	06.050	5	479175	08.030	13
2B0026145	03.330	3	2B004566	01.010	4	484993	03.030	20
2B002621	01.040	6	2B004567	01.010	3	584211	11.030	4
2B002622	01.040	5	2B0046095	03.330	4	584332	08.010	6
2B002632	09.020	1	2B004618	06.050	11	584332	08.030	15
2B002692	02.120	4	2B004619	06.050	16	638733	11.030	9
2B002699	03.340	3	2B004708	02.100	1	639338	08.010	7
2B002701	07.020	9	2B004708000XHB	02.100	1	639338	08.030	16
2B002702	07.020	8	2B004708000YV5	02.100	1	641040	11.020	8
2B002705	01.030	1	2B004709	02.100	2	641901	11.020	15
2B002781	11.030	8	2B004709000XHB	02.100	2	642034	11.020	16
2B002799	01.040	1	2B004709000YV5	02.100	2	643090	03.190	16
2B002804	06.050	9	2B004750	04.080	1	648708	05.020	5
2B002805	06.050	10	2B004751	02.050	3	658837	03.030	5
2B002807	03.350	21	2B004760	02.050	1	658837	03.170	45
2B002810	01.010	5	2B004761	02.050	2	680212	11.020	9
2B002817	01.010	15	2B004767	02.050	4	825597	03.150	10
2B002832	03.050	2	2B004771	08.010	9	825694	03.100	13
2B002842	07.030	8	2B004819	01.030	5	826165	03.190	23
2B002851	03.050	5	2B004821	03.020	7	831135	03.030	11
2B002875	07.020	16	2B004822	03.020	14	832029	11.010	10

Code	No. table	Pos.	Code	No. table	Pos.	Code	No. table	Pos.
834764	03.170	33	887908	03.020	2	AP8121133	01.020	19
834951	03.330	20	887908	06.030	2	AP8121199	08.010	10
840509	08.030	14	887916	04.060	21	AP8121205	07.010	4
848650	03.180	17	890760	03.050	13	AP8121420	02.170	6
849308	03.180	21	890760	07.010	14	AP8121509	03.020	26
849308	03.180	6	894704	11.030	15	AP8121567	01.020	15
849309	03.180	23	895065	02.190	7	AP8121725	08.030	25
849310	03.180	26	895328	03.020	5	AP8121882	06.050	18
849396	03.180	14	895328	06.030	5	AP8121927	06.030	16
849424	03.180	8	895709	06.050	20	AP8123641	07.010	6
852090	03.330	11	896110	03.330	7	AP8123642	07.010	10
852391	02.120	3	896174	01.040	8	AP8123643	07.010	11
854827	07.020	15	897478	03.300	2	AP8123644	07.010	8
856063	09.020	7	898268	03.270	6	AP8124936	11.010	6
857045	03.320	2	898269	03.270	7	AP8125687	05.020	6
857046	03.320	5	898283	03.020	27	AP8127601	09.020	10
857047	03.320	1	899543	02.170	3	AP8127856	01.030	7
857181	03.320	10	967356	01.030	6	AP8134448	08.030	18
857206	03.300	3	967363	03.020	25	AP8134451	01.020	18
857250	03.170	29	974162	03.180	12	AP8144007	03.020	4
859792	05.010	16	974165	03.180	15	AP8144007	06.030	6
859792	05.020	17	976591	03.090	5	AP8144071	01.010	10
859946	06.030	4	976614	02.100	3	AP8144222	07.020	14
871640	03.100	7	976649	03.350	1	AP8144552	11.030	19
873905	03.170	26	97729R	03.290	1	AP81450345	01.020	6
873928	03.180	2	978415	02.170	7	AP81450355	01.020	7
874567	03.150	4	978570	07.020	10	AP8150015	06.050	6
874957	03.330	9	AP8101861	01.020	20	AP8150018	01.010	11
876879	03.330	16	AP8102159	09.020	6	AP8150018	03.020	24
880260	03.060	4	AP8102239	09.020	4	AP8150018	09.010	4
883161	11.030	5	AP8102375	01.040	12	AP8150026	03.020	19
883688	05.010	12	AP8102375	02.100	4	AP8150048	01.010	13
883802	07.020	10	AP8102386	06.050	24	AP8150049	07.020	17
883826	03.030	13	AP8102520	03.050	15	AP8150053	08.010	15
884031	04.080	4	AP8102520	09.020	9	AP8150053	08.030	9
884033	06.030	7	AP8102524	01.030	4	AP8150178	05.010	19
884310	03.060	11	AP8102671	01.010	6	AP8150285	06.030	15
886365	03.030	15	AP8102671	01.040	4	AP8150377	11.010	4
886629	03.230	11	AP8102738	09.020	2	AP8150413	01.040	7
887003	03.270	5	AP8104525	03.050	4	AP8150413	08.030	22
887093	03.190	18	AP8104924	03.050	7	AP8150430	08.030	31
887421	11.020	20	AP8110053	03.020	16	AP8150451	06.050	15
887448	05.020	14	AP8110077	07.010	7	AP8150493	06.050	13
887481	11.020	7	AP8110109	05.020	10	AP8150500	01.040	11
887762	05.010	14	AP8113003	06.050	3	AP8150500	03.060	6
887762	05.020	16	AP8113004	06.050	4	AP8150500	06.050	23
887815	03.050	8	AP8113081	06.030	12	AP8150509	03.050	10
887831	07.010	9	AP8113082	06.030	13	AP8150536	08.030	8
887832	07.010	12	AP8118579	07.020	4	AP8150543	07.010	2
887843	03.050	9	AP8120001	01.040	3	AP8152043	06.010	8
887844	03.050	12	AP8120001	06.050	25	AP8152055	03.330	21
887875	05.010	13	AP8120001	11.030	11	AP8152138	03.020	17
887878	04.060	4	AP8120030	06.050	7	AP8152220	03.190	20
887879	04.060	5	AP8120178	06.030	11	AP8152229	02.170	8
887880	04.060	6	AP8120278	08.030	6	AP8152267	03.090	7
887882	04.060	8	AP8120311	01.010	14	AP8152272	03.120	10
887883	04.060	9	AP8120455	03.050	3	AP8152288	06.040	2
887884	04.060	10	AP8120455	03.330	14	AP8152288	09.010	2
887885	04.060	11	AP8120455	09.010	3	AP8152299	02.100	8
887886	04.060	12	AP8120573	01.020	17	AP8152299	02.150	2
887888	04.060	13	AP8120594	02.120	5	AP8152299	08.010	12
887889	04.060	15	AP8120615	03.050	6	AP8152299	11.020	6
887890	04.060	17	AP8120876	03.050	11	AP8152300	02.150	5
887891	04.060	16	AP8120912	03.020	1	AP8152306	08.030	19
887893	04.060	20	AP8120912	06.030	1	AP8152329	03.050	1
887894	04.060	22	AP8121014	01.030	3	AP8152384	07.010	5
887905	04.060	18	AP8121032	02.100	7	AP8152385	06.020	2

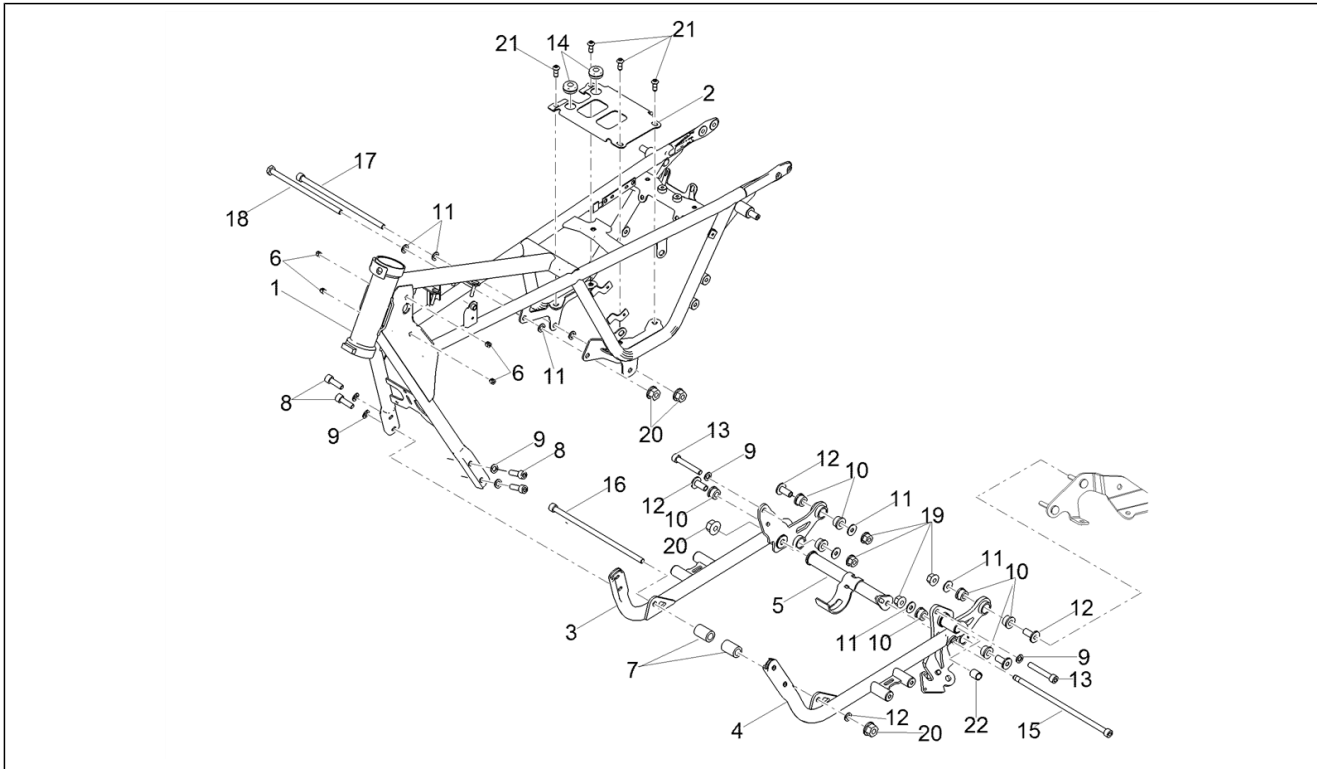
Code	No. table	Pos.
AP8161054	03.050	16
AP8181140	11.030	13
AP8201755	08.030	24
AP8210007	03.020	20
AP8213028	07.030	5
AP8213388	07.030	6
AP8220186	08.030	5
AP8221023	03.050	18
AP8221023	06.050	8
AP8221197	01.030	2
AP8221277	01.020	16
AP8224164	08.030	17
AP8224462	11.020	4
AP8702101	02.170	10
AP9100053	08.030	27
B013037	03.230	15
B013608	03.170	25
B013608	03.180	3
B014598	03.120	28
B015040	03.180	11
B015598	03.170	2
B016796	08.030	23
B0167965	03.060	5
B017406	03.170	5
B017636	03.100	3
B018020	03.170	4
B018448	03.180	31
B043850	11.030	16
B063025	03.170	39
B063174	04.080	3
B063233	11.030	10
B063269	03.170	40
B063287	01.010	2
B063292	03.330	8
B063956	03.170	14
B064023	02.120	2
B064112	03.170	10
B064113	03.170	7
B064304	03.350	16
CM013202	11.030	14
CM178609	08.020	4
CM179008	09.020	5
CM179301	02.100	6
CM179301	02.150	6
CM226902	03.196	1
CM226902	03.320	6
CM228401	01.020	14
CM258301	03.060	13
CM258303	03.050	17
CM275401	03.060	1
CM277101	11.020	17
CM277102	11.020	18
GU01528930	03.350	6
GU01659130	06.020	5
GU01659131	06.020	4
GU03013800	03.020	22
GU03013800	03.060	10
GU03617710	05.010	10
GU03617710	05.020	11
GU03658201	06.050	21
GU03658330	06.050	19
GU03749845	06.010	7
GU04355100	03.350	20
GU04355101	03.350	20
GU04355102	03.350	20
GU04355103	03.350	20
GU04355104	03.350	20

Code	No. table	Pos.
GU04355105	03.350	20
GU04355106	03.350	20
GU05217630	03.230	26
GU05234230	03.170	9
GU05234631	03.170	31
GU05235531	03.170	30
GU05238231	03.170	13
GU05238431	03.170	11
GU05239330	03.170	16
GU05351230	03.350	9
GU05659230	06.020	3
GU05781630	04.060	24
GU10034100	03.120	15
GU10528900	03.030	23
GU12022600	03.170	35
GU12154200	03.190	2
GU12351100	03.350	13
GU14085900	03.230	25
GU14086100	03.230	17
GU14217901	03.230	5
GU14609650	11.010	9
GU14609650	11.020	3
GU14609650	11.030	17
GU14615901	03.230	3
GU14615901	03.330	18
GU14615901	03.330	22
GU14615901	03.350	26
GU14615901	07.020	18
GU14616150	05.010	11
GU14616150	05.020	12
GU18144350	03.190	8
GU19002020	03.170	36
GU19002020	03.270	3
GU19003800	03.030	3
GU19015020	03.030	14
GU19017000	01.010	7
GU19018920	03.030	9
GU19018920	03.190	28
GU19021360	03.150	3
GU19045861	03.120	3
GU19055700	03.120	2
GU19058021	03.120	20
GU19058220	03.120	11
GU19062261	03.160	1
GU19065400	03.160	9
GU19067700	03.230	2
GU19351100	03.350	17
GU19547000	01.050	2
GU20147710	03.190	21
GU20258221	03.020	23
GU27061885	03.160	4
GU27066460	03.160	5
GU27152885	03.190	1
GU30601060	07.030	3
GU30602500	07.030	4
GU31003766	03.030	22
GU31003766	03.350	7
GU31159050	03.190	6
GU31544181	06.040	4
GU31547882	01.050	3
GU31616384	05.010	15
GU31659181	06.040	7
GU31659281	06.040	6
GU32441210	01.020	10
GU32442310	01.020	8
GU32442710	01.020	9
GU32517710	11.030	12

Code	No. table	Pos.
GU32577910	02.050	6
GU32578410	02.050	5
GU32602860	07.020	6
GU32615660	05.010	3
GU32632510	05.020	8
GU37359005	03.350	10
GU49609601	11.010	8
GU49609601	11.020	2
GU49609601	11.030	18
GU66103415	09.010	10
GU90271014	03.170	17
GU90271022	03.170	32
GU90272047	05.020	9
GU90353014	03.170	8
GU90353029	03.120	17
GU90401424	03.170	18
GU90402642	05.010	6
GU90412541	03.180	18
GU90413850	03.350	12
GU90706141	11.010	11
GU90706170	03.230	27
GU90706188	03.350	4
GU90706203	03.170	34
GU90706235	03.230	10
GU90706281	03.030	25
GU90706444	03.190	4
GU90706584	03.350	5
GU90706958	03.350	19
GU91113826	03.330	10
GU91181003	07.020	21
GU91551010	01.010	19
GU91551010	03.050	19
GU91551131	09.010	5
GU92201226	03.180	19
GU92201226	03.230	9
GU92201822	03.180	1
GU92204220	05.020	4
GU92204221	05.010	7
GU92254340	03.350	14
GU92296723	03.190	25
GU92602510	03.190	19
GU92606206	06.030	10
GU92606208	03.030	6
GU92606508	03.230	24
GU92630206	06.030	8
GU92630207	05.010	8
GU92630510	01.010	20
GU92630707	03.020	12
GU92660021	03.330	17
GU92787006	02.050	7
GU93180105	01.050	4
GU93180111	05.010	2
GU93180220	03.170	42
GU93304360	09.020	8
GU94321079	03.190	9
GU94321105	03.230	22
GU95005304	11.020	10
GU95005306	02.050	8
GU95008206	03.190	7
GU95008208	03.290	2
GU95008208	03.330	23
GU95008210	01.010	9
GU95008306	08.030	20
GU95020105	01.030	9
GU95100059	11.030	7
GU95100309	03.190	17
GU95100602	03.190	26

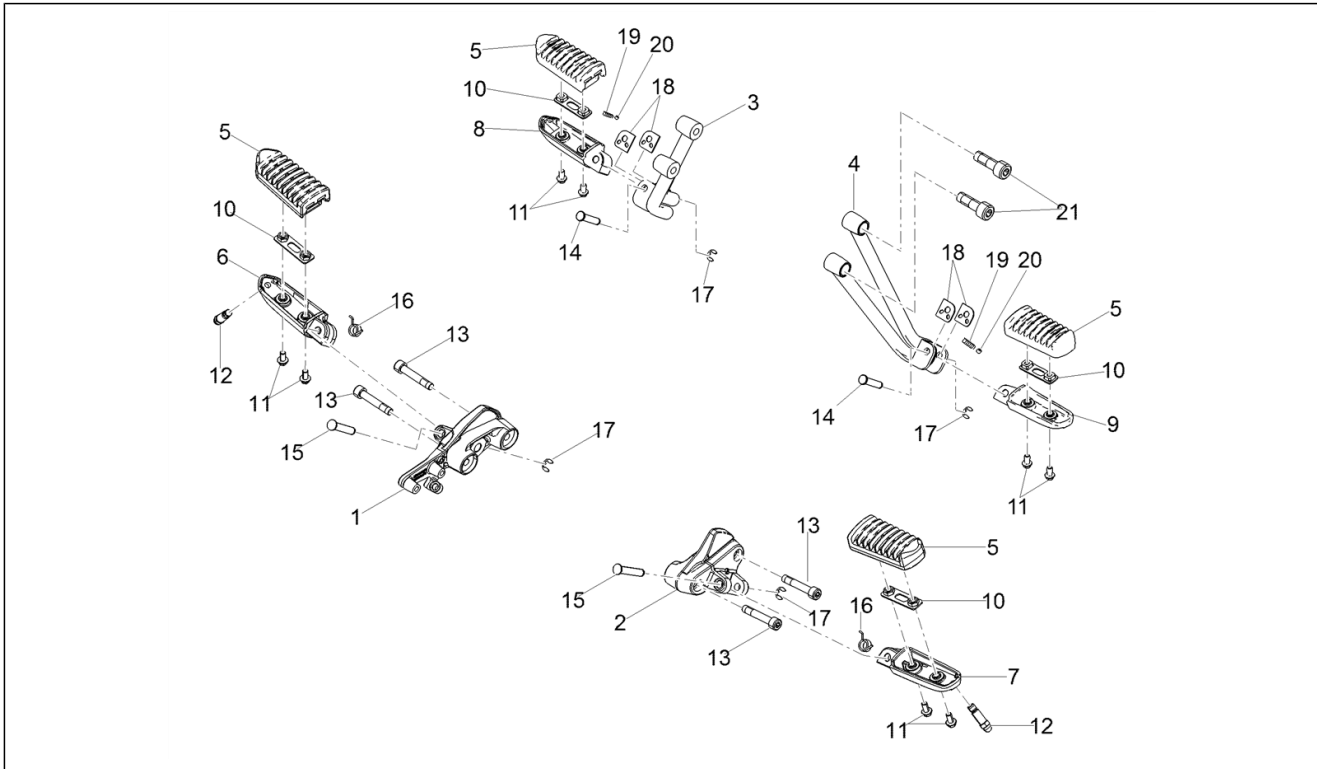
Code	No. table	Pos.
GU95129115	03.120	18
GU95129260	03.020	28
GU95500222	03.230	20
GU96451316	06.050	12
GU96451430	03.030	12
GU96508055	03.030	16
GU97202325	07.030	7
GU98110199	01.010	18
GU98210610	08.020	5
GU98210616	07.010	16
GU98210616	08.030	28
GU98612216	03.320	4
GU98612320	08.010	8
GU98612320	08.030	10
GU98622322	03.060	9
GU98632322	03.020	21
GU98680440	03.170	46
GU98680460	03.020	6
GU98682212	03.300	6
GU98682212	11.030	6
GU98682314	11.010	12
GU98682325	03.030	24
GU98682325	03.270	1
GU98682330	03.270	2
GU98682330	08.030	26
GU98682435	03.290	3
GU98682530	01.010	8
GU98690445	02.030	3
GU98692318	03.020	13
GU98692425	07.020	11
GU98882316	03.120	26
GU98882416	09.010	11

Group	Frame
Code	01.010
Description	Frame
Service	1



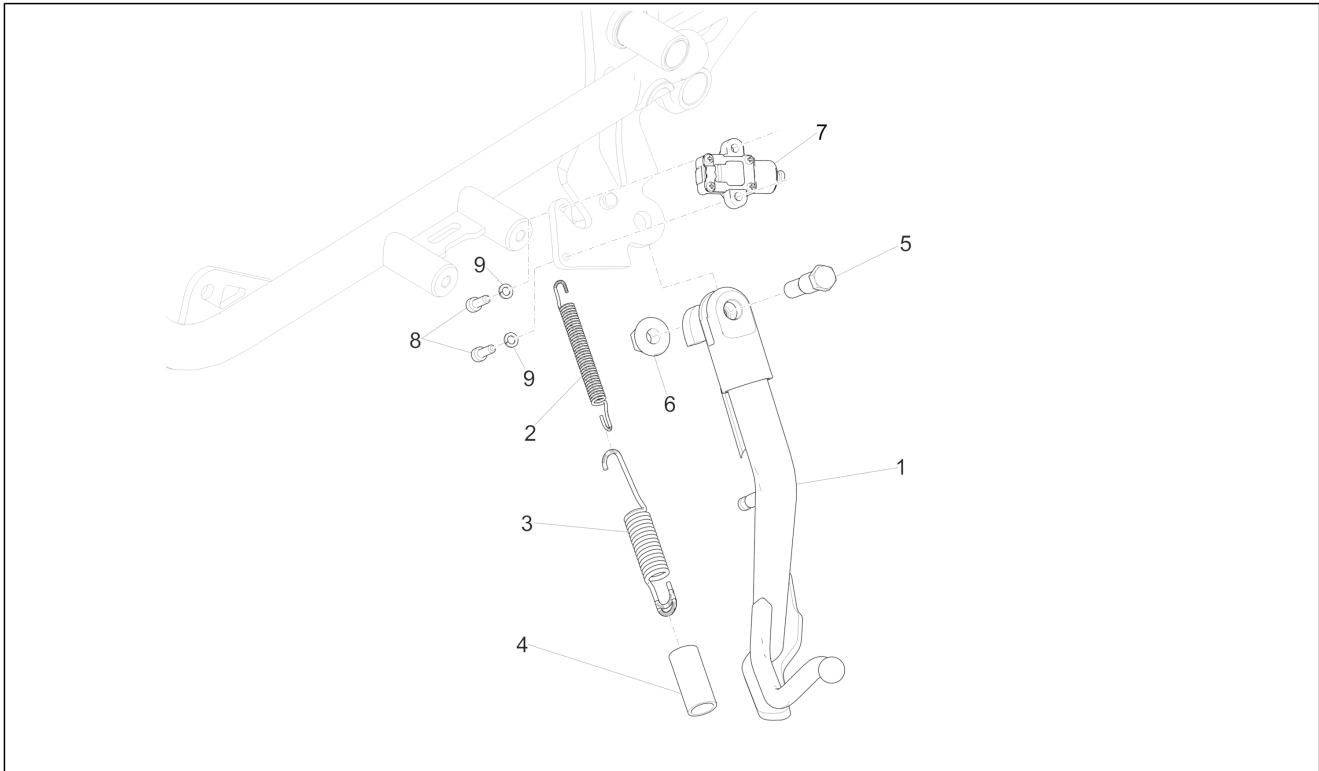
Pos.	Code	Description	Qty	Variants
1	2B001055	Frame with u.p.	1	
2	B063287	Frame union plate	1	
3	2B004567	RH cradle arm	1	
4	2B004566	LH cradle arm	1	
5	2B002810	Chassis crossbeam	1	
6	AP8102671	Plastic rivet	4	
7	GU19017000	Bushing	2	
8	GU98682530	Hex socket screw M10x30	4	
9	GU95008210	Washer 10,2X18X2	6	
10	AP8144071	Rubber exhaust	8	
11	AP8150018	Washer	4	
12	2B003078	Spacer	4	
13	AP8150048	Hex socket screw	2	
14	AP8120311	Rubber spacer	2	
15	2B002817	M10 pin	1	
16	2B001612	Pin M10X253	1	
17	2B001035	Pin 234X10	1	
18	GU98110199	Pin M10x205	1	
19	GU91551010	Rubber 10X20X10	2	
20	GU92630510	Nut M10x1,5	4	
21	2B002311	Oval head torx screw M8X20	4	
22	2B004219	Bushing	1	

Group	Frame
Code	01.020
Description	Foot rests
Service	1



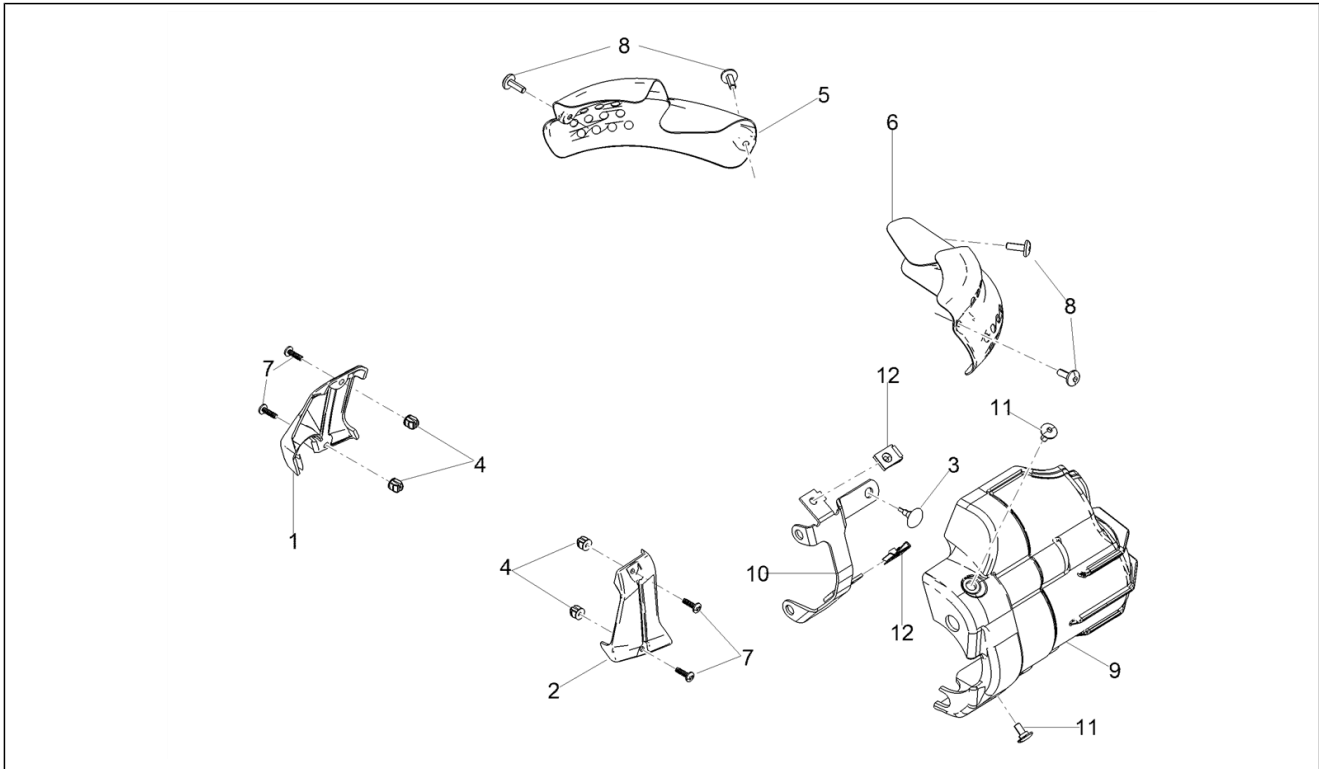
Pos.	Code	Description	Qty	Variants
1	2B002218	RH front footrest bracket	2	
2	2B002219	LH front footrest bracket	4	
3	2B003077	Right pass. footrest support	1	
4	2B003076	Left pass. footrest support	1	
5	2B002225	Footrest rubber	4	
6	AP81450345	RH Foot rests	1	
7	AP81450355	LH Foot rests	1	
8	GU32442310	Rear footrest, RH	1	
9	GU32442710	Rear footrest, LH	1	
10	GU32441210	Plate	4	
11	2B005143	Screw w/ flange M6x12	8	
12	2B004077	Footrest pin	2	
13	2B004172	Screw TC TORX M8x45	4	
14	CM228401	Footrest pin	2	
15	AP8121567	Pin	2	
16	AP8221277	Footrest return spring	2	
17	AP8120573	Stop ring	4	
18	AP8134451	Footrest plate	4	
19	AP8121133	Coil compress. spring	2	
20	AP8101861	Ball D6,35	2	
21	2B002171	Special cap screw 8x25	4	

Group	Frame
Code	01.030
Description	Central stand
Service	1



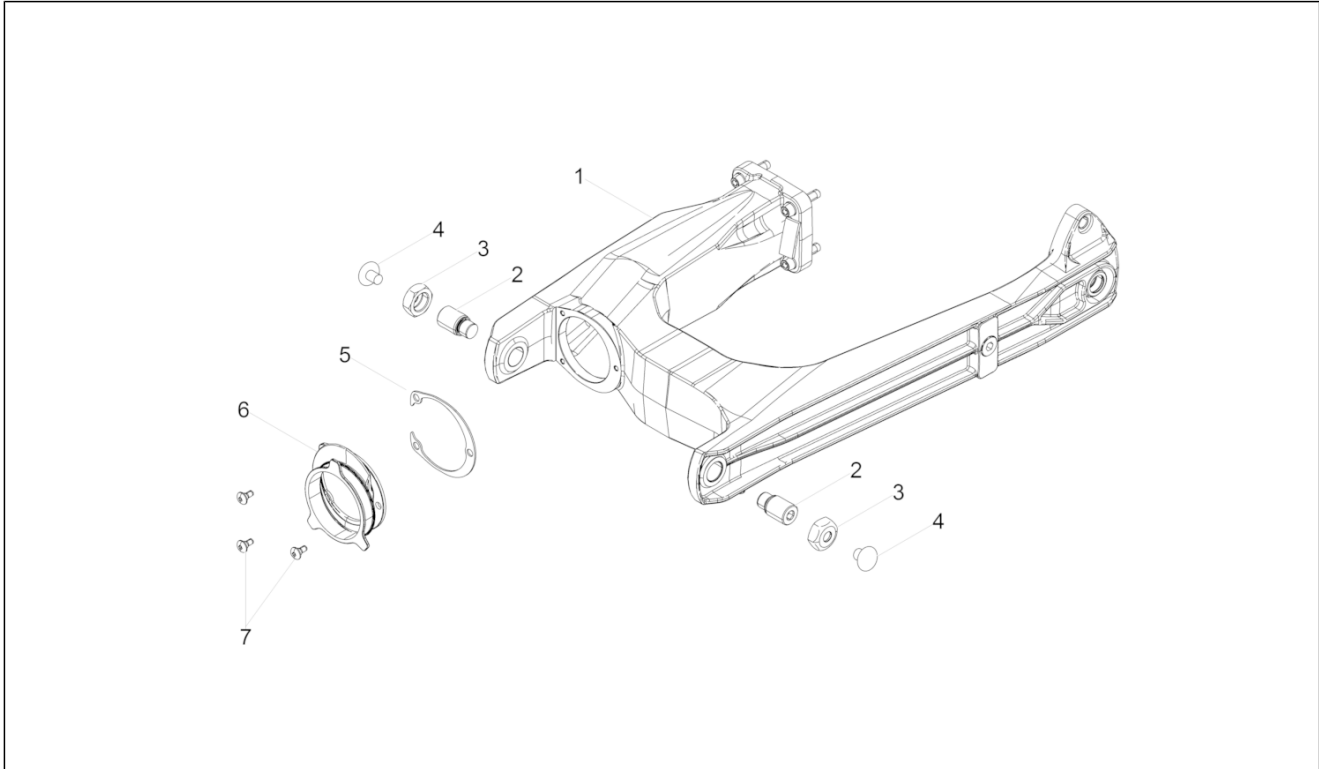
Pos.	Code	Description	Qty	Variants
1	2B002705	Lateral stand	1	
2	AP8221197	Lateral stand spring	1	
3	AP8121014	Coil pull spring	1	
4	AP8102524	Stand spring protection	1	
5	2B004819	Stand pin	1	
6	967356	Flanged nut M10x1,25	1	
7	AP8127856	Lateral stand switch	1	
8	1C001499	TBEI TORX screw M5x16 INOX	2	
9	GU95020105	Washer 5,3x8,9x2,4	2	

Group	Frame
Code	01.040
Description	Protection
Service	1



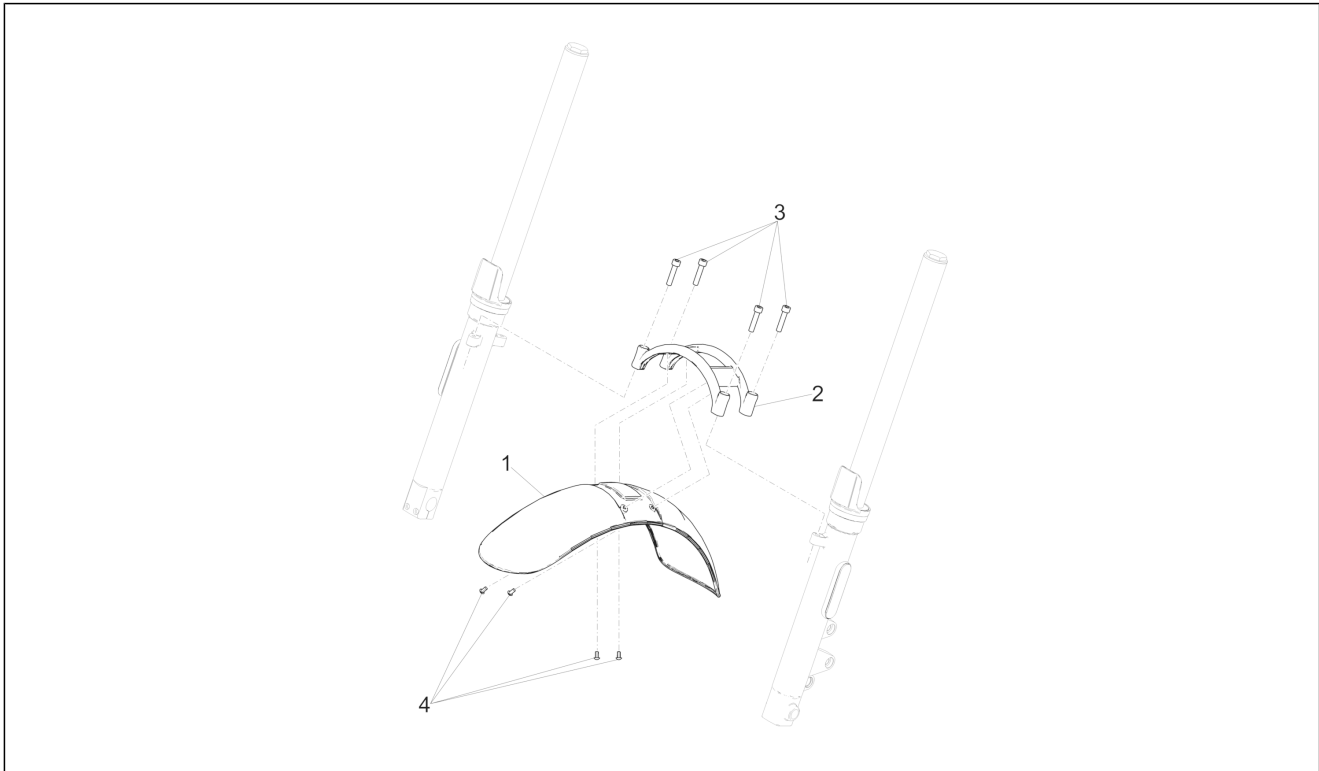
Pos.	Code	Description	Qty	Variants
1	2B002799	RH frame protection	1	
2	2B002378	LH frame protection	1	
3	AP8120001	Rubber spacer	1	
4	AP8102671	Plastic rivet	2	
5	2B002622	Right injector covers	1	
6	2B002621	Left injector covers	1	
7	AP8150413	Self-tap screw 3,9x14	1	
8	896174	Hex socket screw Black M5x12	4	
9	2B002943	Starter motor cover	1	
10	2B002937	Cover support bracket	1	
11	AP8150500	Hex socket screw M5x9 NERINOX	2	
12	AP8102375	Clip M5	2	

Group	Frame
Code	01.050
Description	Swing arm
Service	1



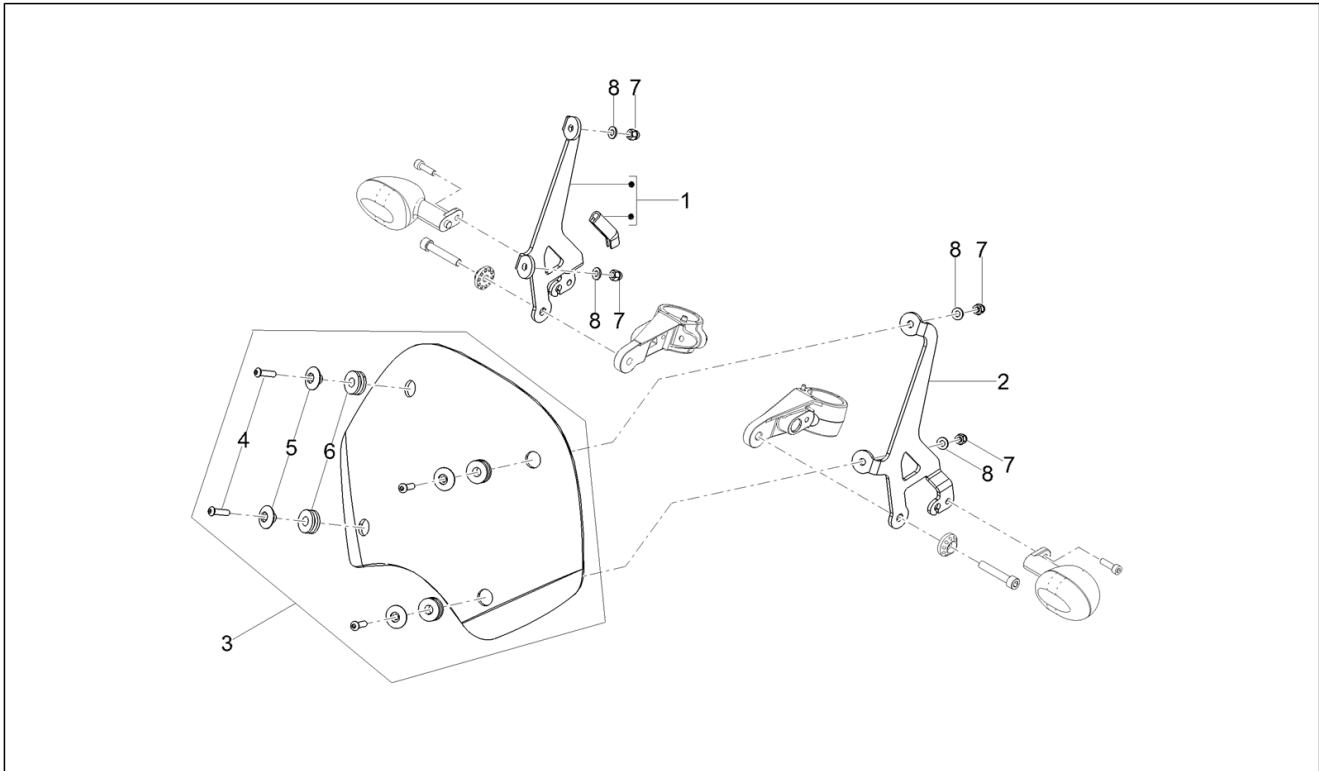
Pos.	Code	Description	Qty	Variants
1	2B001301	Swing arm	1	
2	GU19547000	Adjusting pin	2	
3	GU31547882	Nut	2	
4	GU93180105	Cover	2	
5	2B003212	Fixing plate	1	
6	2B002205	Rubber bellows	1	
7	2B003422	M5x12 pre-coated countersunk hex head Torx screw	3	

Group	Body
Code	02.030
Description	Front mudguard-Pillar
Service	1



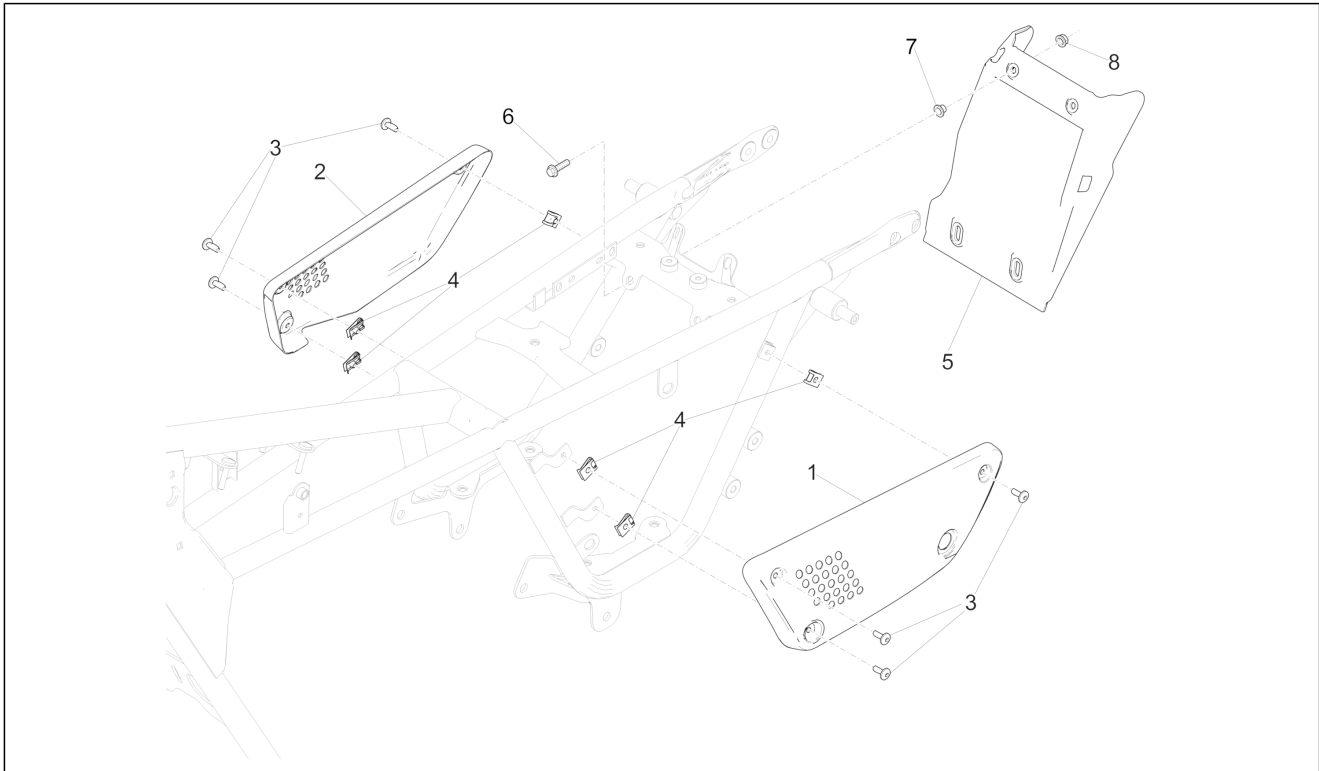
Pos.	Code	Description	Qty	Variants
1	2B001141	Front mudguard	1	Colour:Blank[GR]
1	2H002386500XN2	Front mudguard	1	Technical Specification:With decals applied[D] Colour:Grey[GO] Green[VE]
2	2B001147	Mudguard support	1	
3	GU98690445	screw M8x45	4	
4	2B004824	Screw TBEI M5x10 pre-coated	4	

Group	Body
Code	02.050
Description	Windshield
Service	1



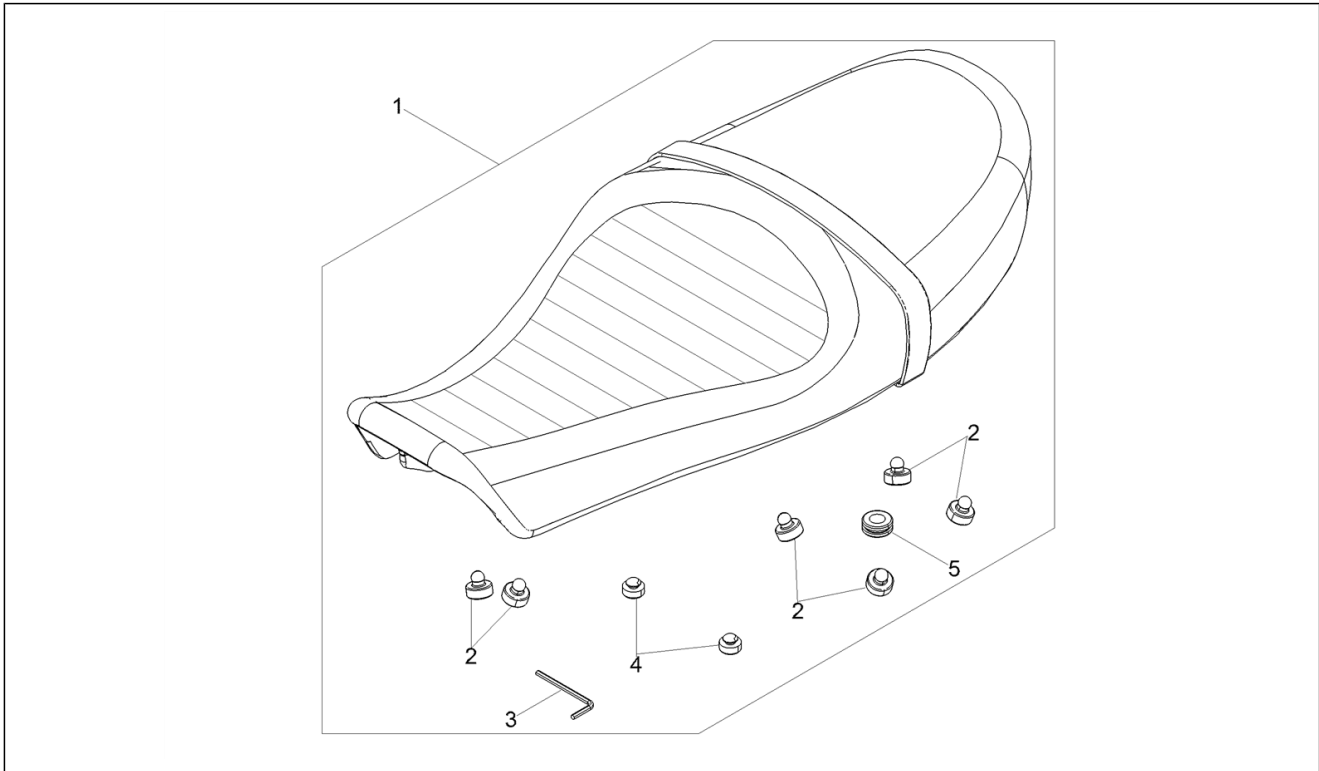
Pos.	Code	Description	Qty	Variants
1	2B004760	RH windshield support	1	
2	2B004761	LH windshield support	1	
3	2B004751	Fairing kit	1	
4	2B004767	Screw TBEI M 6x22	4	
5	GU32578410	Bushing black	4	
6	GU32577910	Rubber spacer 10x25	4	
7	GU92787006	Cap nut M6x1	4	
8	GU95005306	Washer 6,4x13x1,5	4	

Group	Body
Code	02.100
Description	Central body
Service	1



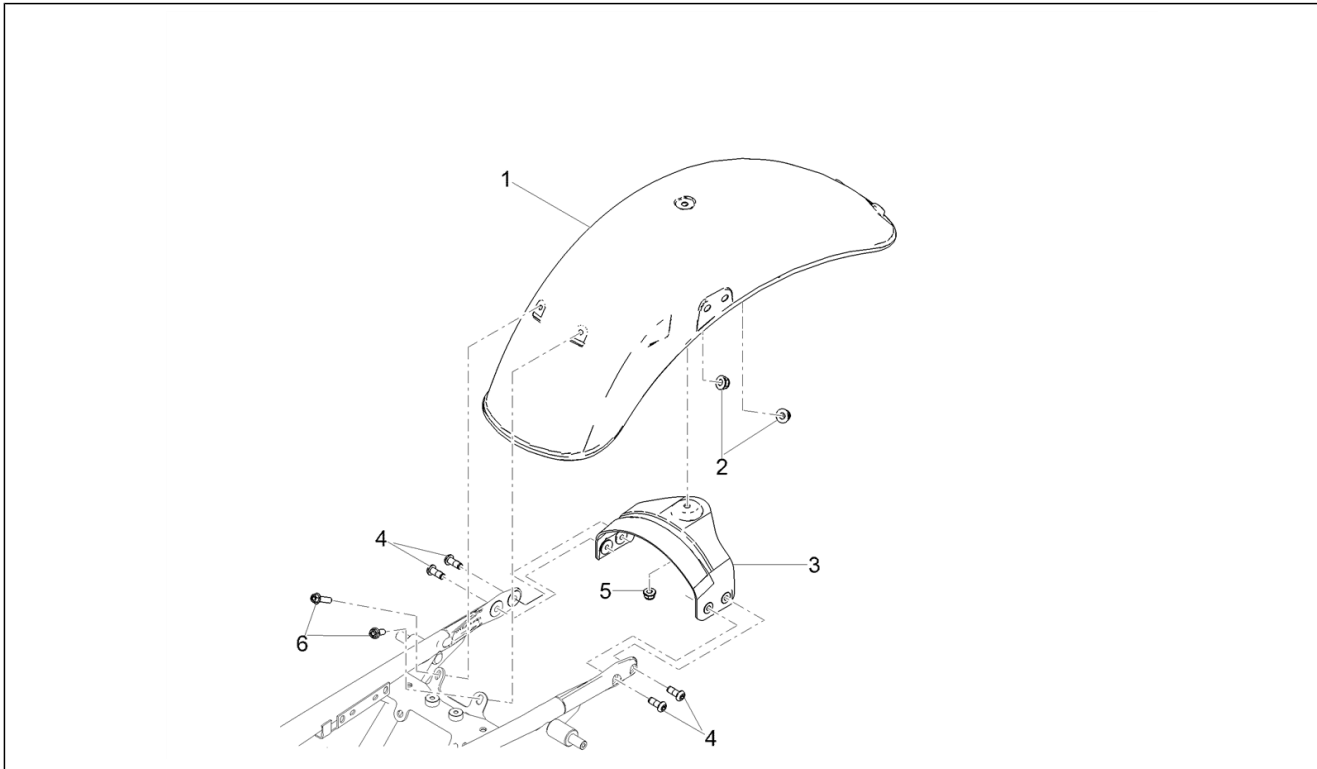
Pos.	Code	Description	Qty	Variants
1	2B004708	LH side panel, blank	1	Colour:Blank[GR]
1	2B004708000XHB	LH side panel, grey	1	Technical Specification:Without decals applied[ND] Colour:Grey[GO]
1	2B004708000YV5	Left side panel green version	1	Technical Specification:Without decals applied[ND] Colour:Green[VE]
2	2B004709	RH side panel, blank	1	Colour:Blank[GR]
2	2B004709000XHB	RH side panel, grey	1	Technical Specification:Without decals applied[ND] Colour:Grey[GO]
2	2B004709000YV5	RH side panel, green	1	Technical Specification:Without decals applied[ND] Colour:Green[VE]
3	976614	Hex socket screw M5x15	6	
4	AP8102375	Clip M5	6	
5	2B001783	Rear splash guard	1	
6	CM179301	Screw M6x16	2	
7	AP8121032	Bush	2	
8	AP8152299	Self-locking nut M6	2	

Group	Body
Code	02.120
Description	Saddle
Service	1



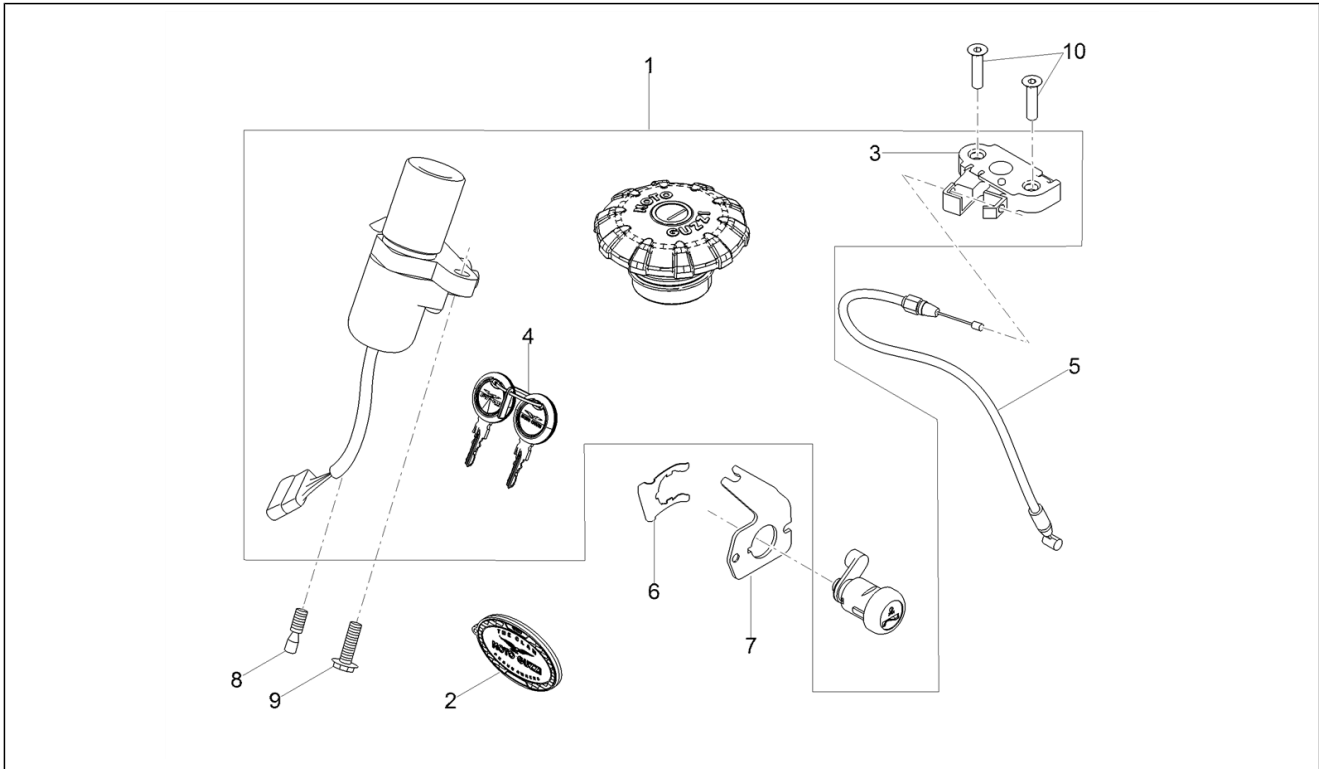
Pos.	Code	Description	Qty	Variants
1	2B004021000C1	Comfort saddle	1	
2	B064023	Saddle rubber	6	
3	852391	Hex key	1	
4	2B002692	Saddle rubber	2	
5	AP8120594	Rubber spacer	1	

Group	Body
Code	02.150
Description	Rear mudguard
Service	1



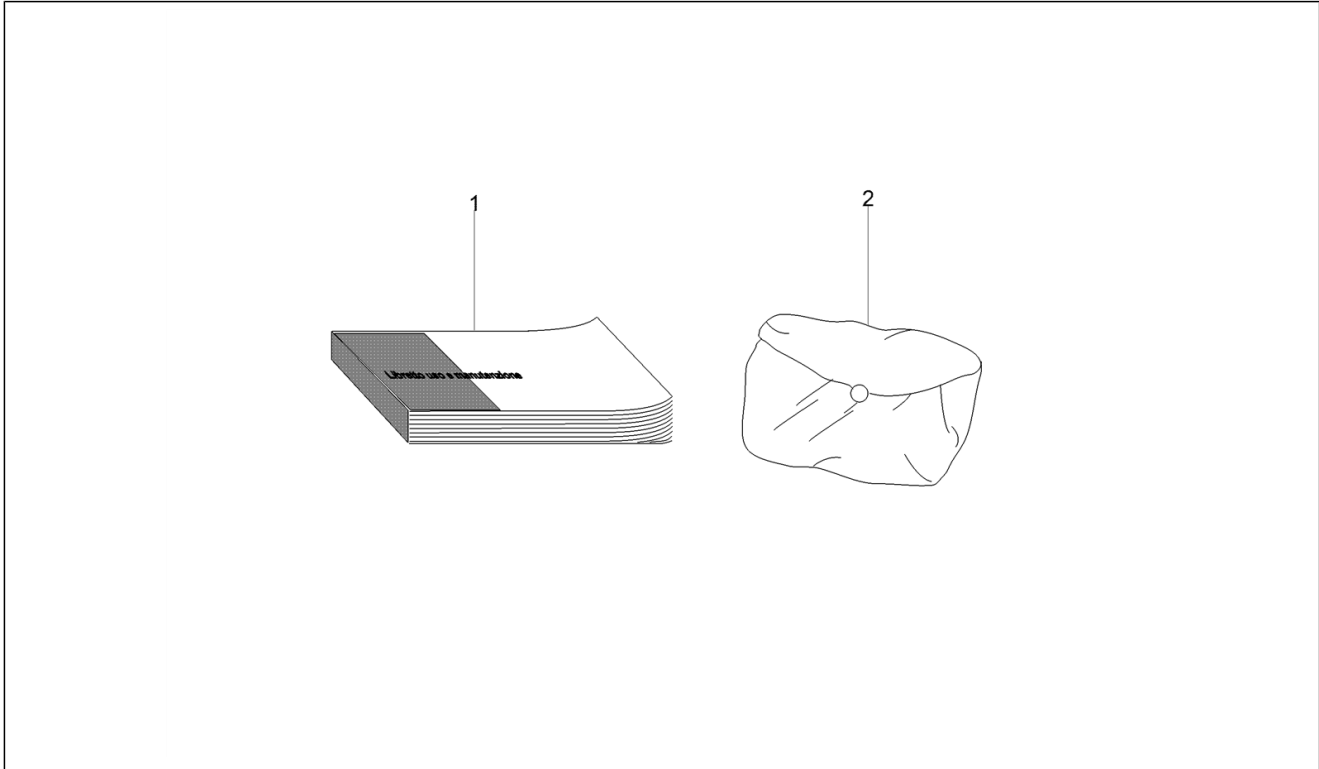
Pos.	Code	Description	Qty	Variants
1	2B001406500XN2	Rear mudguard	1	Technical Specification: Without decals applied[ND] Colour: Grey[GO] Green[VE]
1	2B001406	Rear mudguard	1	Colour: Blank[GR]
2	AP8152299	Self-locking nut M6	2	
3	2B002386	Rear mudguard support	1	
4	2B002311	Oval head torx screw M8X20	4	
5	AP8152300	Self-locking nut M8	1	
6	CM179301	Screw M6x16	2	

Group	Body
Code	02.170
Description	Locks
Service	1



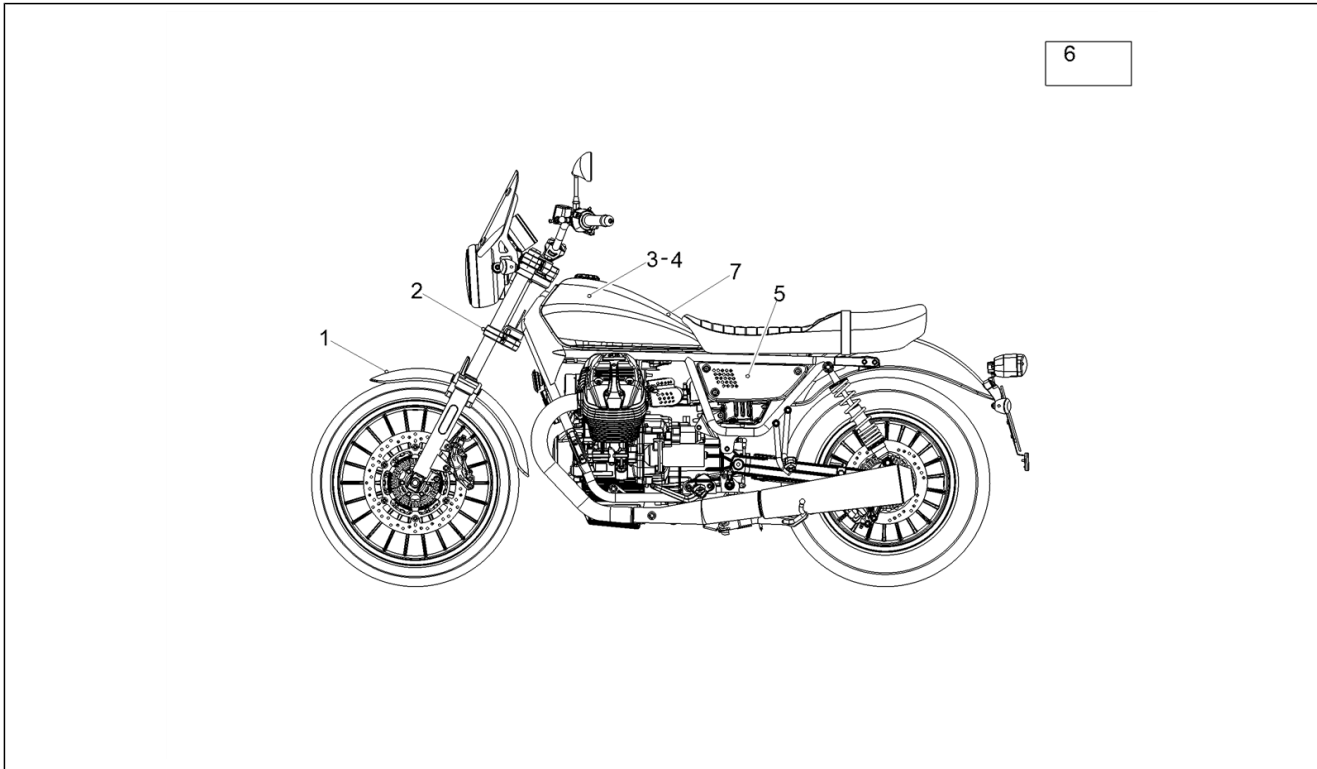
Pos.	Code	Description	Qty	Variants
1	2B004530	Lock kit	1	
2	2B004276	Key-fob "THE CLAN"	1	
3	899543	Lock attachment plate	1	
4	2B005184	Key with simple transponder	1	
5	2B002936	Saddle transmission	1	
6	AP8121420	Fork spring	1	
7	978415	Cable fixing plate	1	
8	AP8152229	Shear rivet M8x20	1	
9	2B002494	Pre-coated M8x20 SHC screw	1	
10	AP8702101	Screw M6x25	2	

Group	Body
Code	02.180
Description	Plate set / Various
Service	1



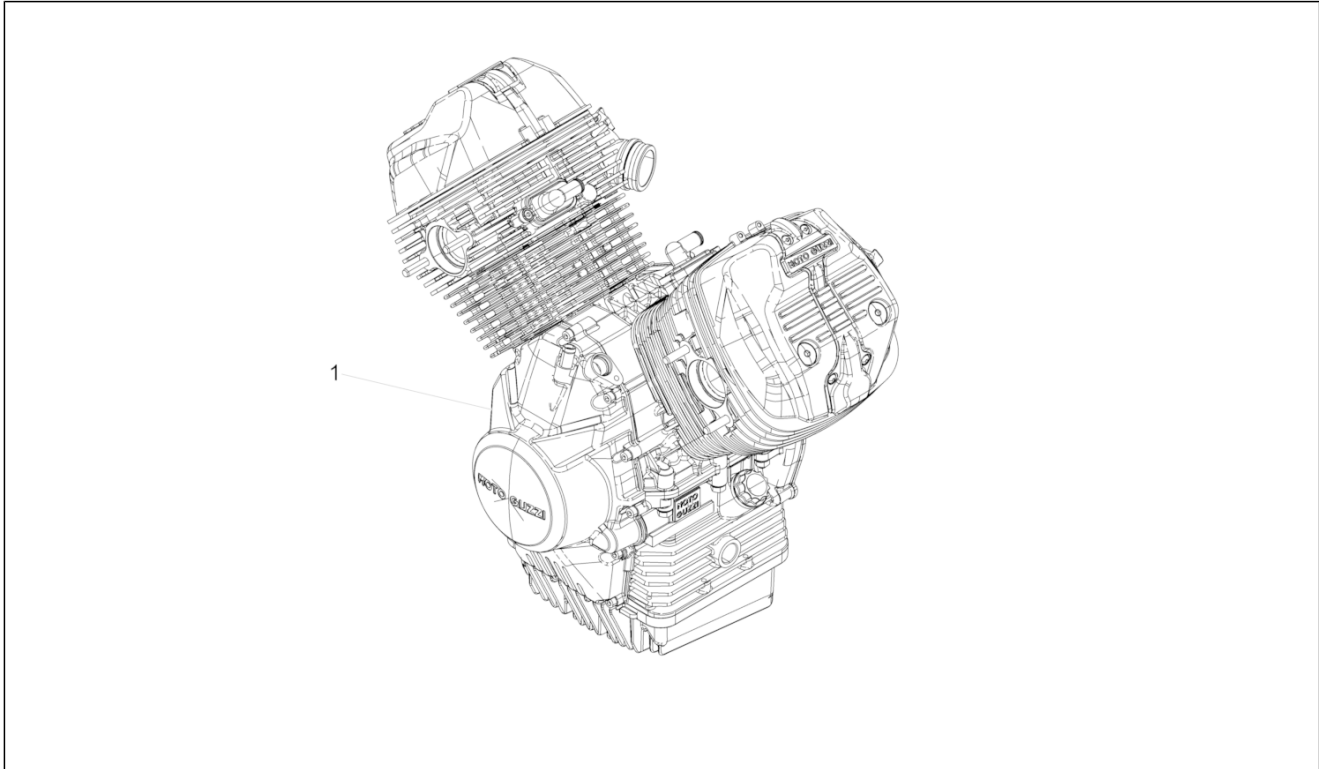
Pos.	Code	Description	Qty	Variants
1	2Q000348	UMM I-F-D-NL-E-UK	1	
2	2B003306	Toolkit	1	

Group	Body
Code	02.190
Description	Decal
Service	1



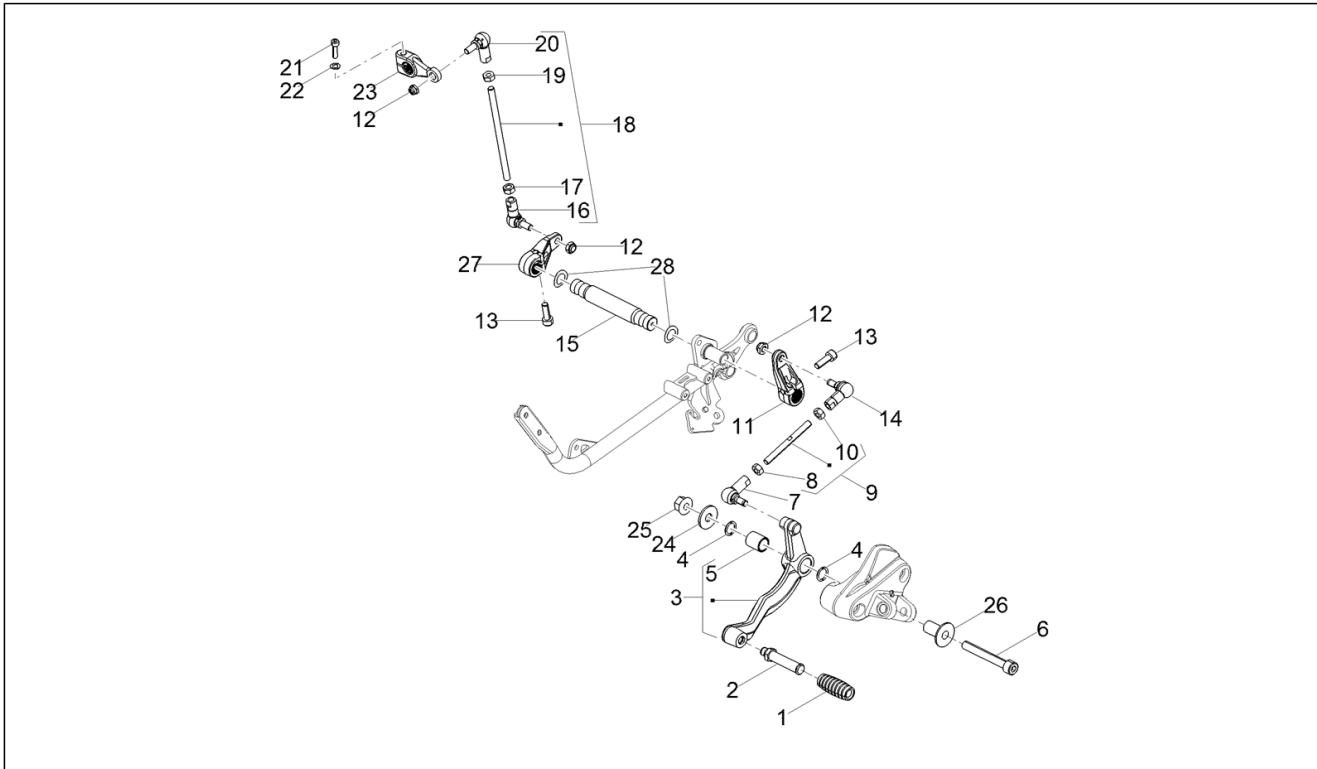
Pos.	Code	Description	Qty	Variants
1	2H001260	"Eagle" decal	1	Colour:Grey[GO] Green[VE]
2	2H001445	Name plate "Moto Guzzi"	1	Colour:Grey[GO] Green[VE]
3	2H001255	"Eagle" decal DX	1	Colour:Grey[GO] Green[VE]
4	2H001256	"Eagle" decal SX	1	Colour:Grey[GO] Green[VE]
5	2H001259	Name plate "V9 Roamer" DX-SX	2	Colour:Grey[GO] Green[VE]
6	2B003363	Tyre pressure decal	1	
7	895065	Tank guard decal	1	

Group	Engine
Code	03.010
Description	Engine-Completing part-Lever
Service	1



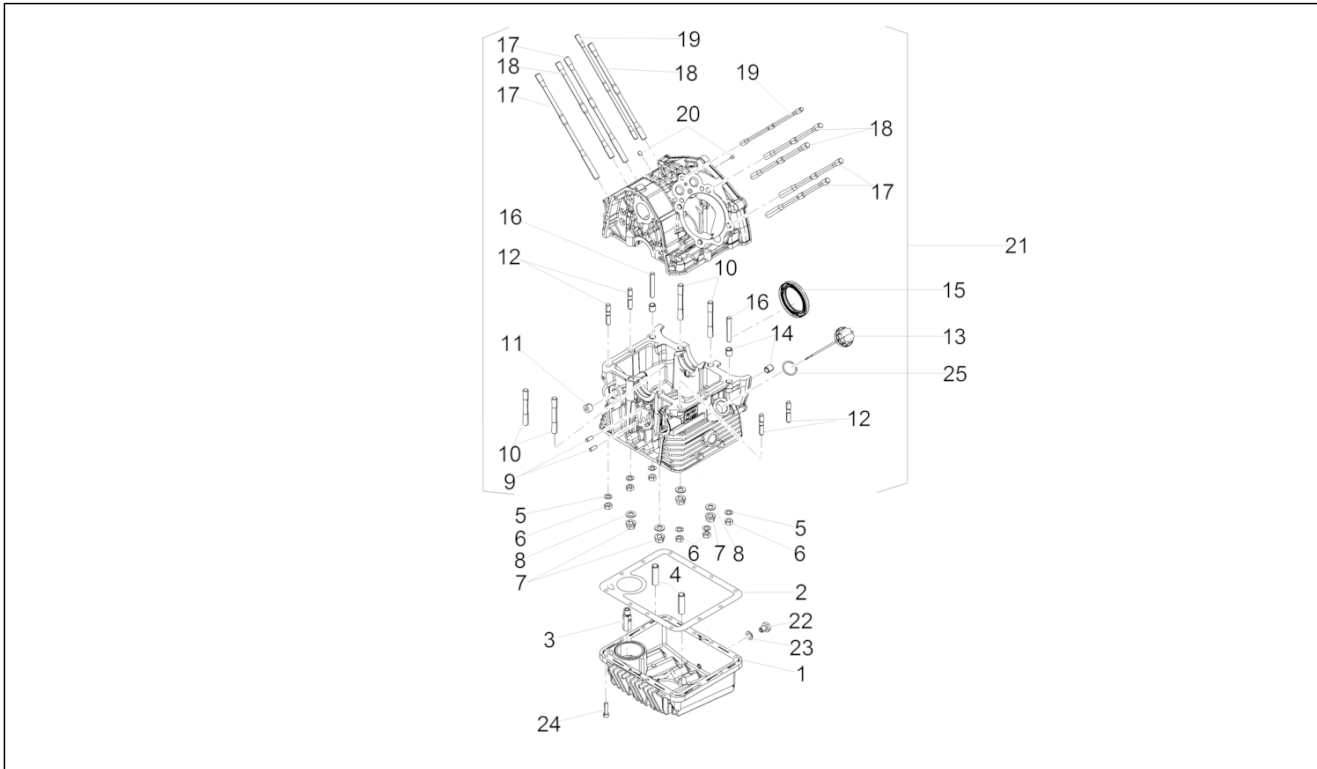
Pos.	Code	Description	Qty	Variants
1	1A0112315	Engine without gearbox	1	Technical Specification: Engine NEW[NEW]

Group	Engine
Code	03.020
Description	Gear lever
Service	1



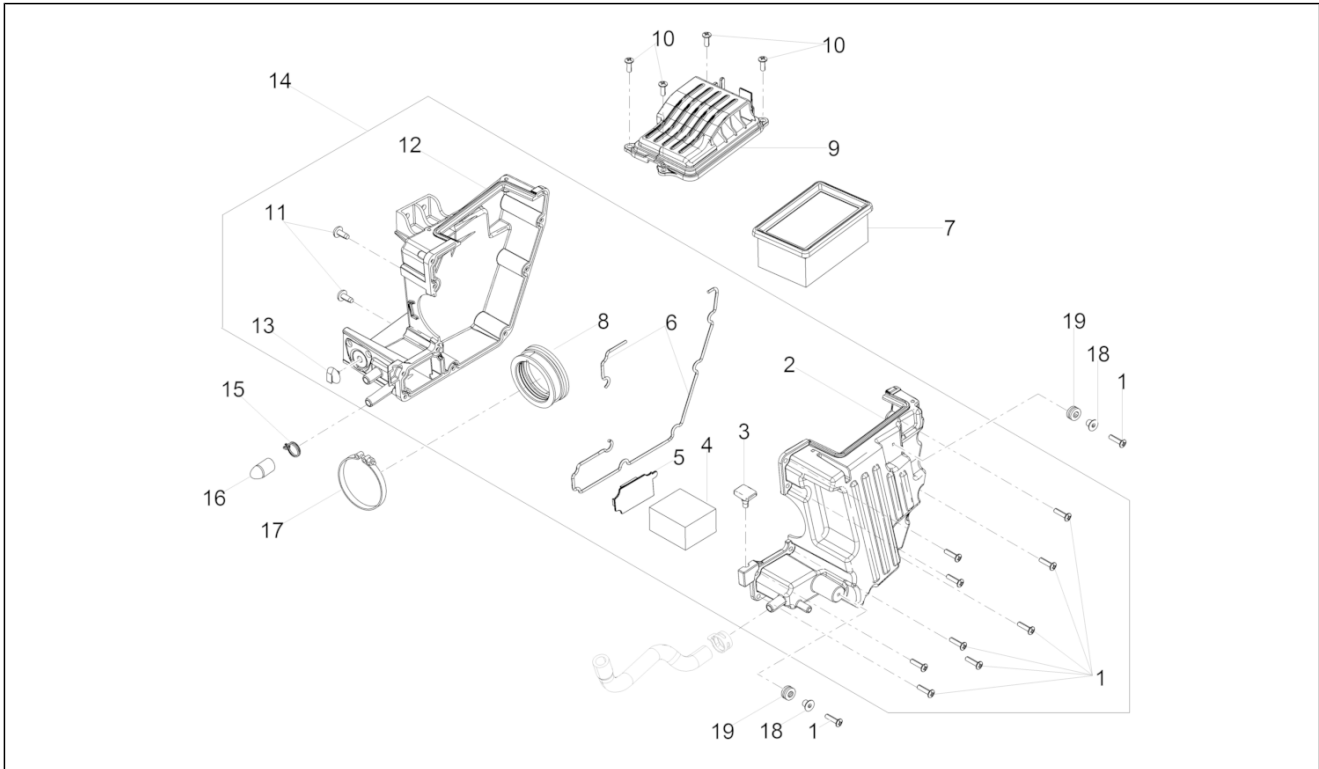
Pos.	Code	Description	Qty	Variants
1	AP8120912	Lever rubber	1	
2	887908	Rubber pedal	1	
3	2B003348	Complete gearchange lever	1	
4	AP8144007	O-ring 11,11x1,78	2	
5	895328	Sintered bushing	1	
6	GU98680460	Hex socket screw M8x60	1	
7	2B004821	RH ball joint M6	1	
8	2B004827	RIGHT threaded nut	1	
9	2B004960	Complete gearbox link rod	1	
10	2B004828	LH thread nut	1	
11	2B004942	Gear change lever	1	
12	GU92630707	Nut M6	2	
13	GU98692318	Hex socket screw M6x18	2	
14	2B004822	Left ball joint M6	1	
15	2B001009	Lever pin	1	
16	AP8110053	Left ball joint M6	1	
17	AP8152138	Nut	1	
18	2B001941	Gear control tie rod	1	
19	AP8150026	Nut M6	1	
20	AP8210007	RH ball joint M6	1	
21	GU98632322	screw	1	
22	GU03013800	Washer 6,4x12	1	
23	GU20258221	Shift lever	1	
24	AP8150018	Washer	1	
25	967363	Nut M8x1,25	1	
26	AP8121509	Bush	1	
27	898283	Gear change lever	1	
28	GU95129260	Spring washer	2	

Group	Engine
Code	03.030
Description	Crankcases I
Service	1



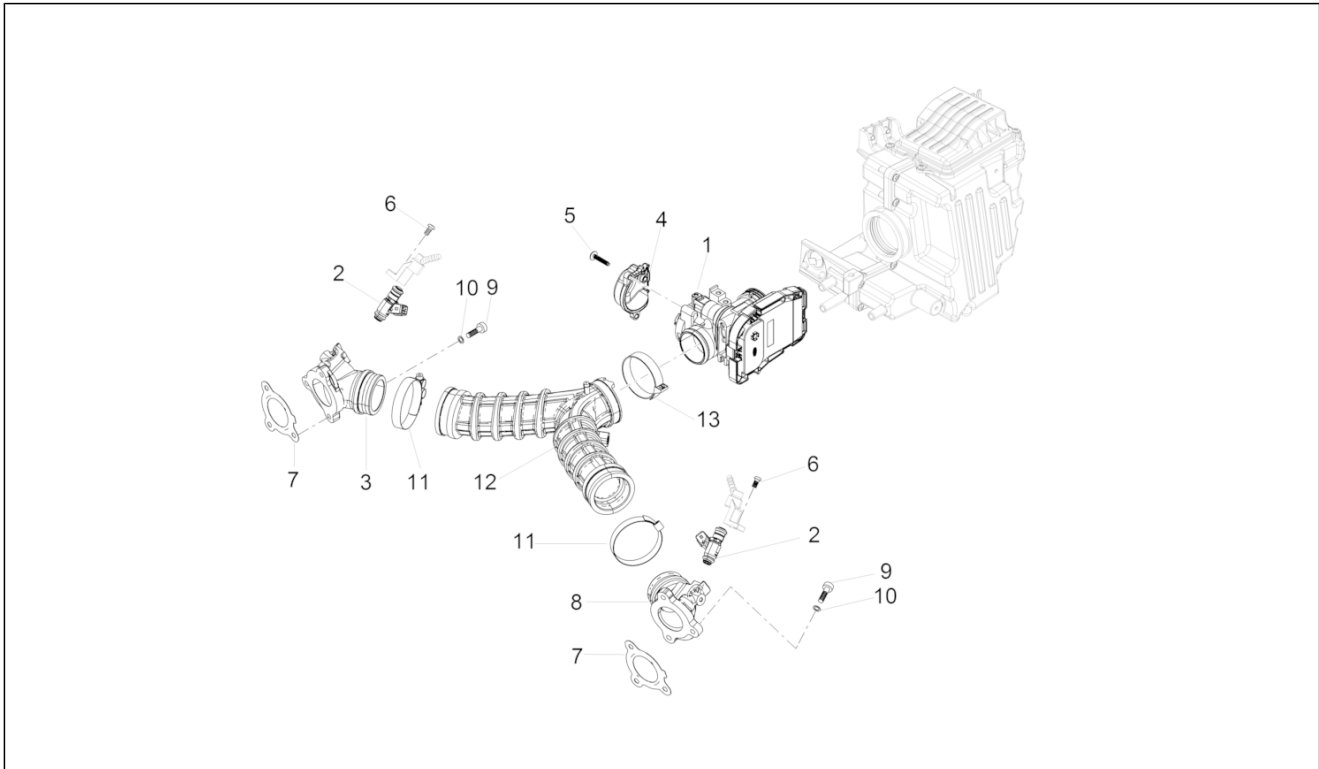
Pos.	Code	Description	Qty	Variants
1	1A004550	Pan oil	1	
2	1A005211	Sump gasket	1	
3	GU19003800	Joint	1	
4	1A006047	Hose union	2	
5	658837	Crinkle washer D15 F8,4 S1,5 - INOX	6	
6	GU92606208	Nut M8x1,25	6	
7	1A006656	Flanged nut M10x1	4	
8	1A006655	Flat washer	4	
9	GU19018920	Pin	2	
10	1A004530	Stud bolt	4	
11	831135	Plug M14x1,5	1	
12	GU96451430	Stud bolt	4	
13	883826	Oil load plug	1	
14	GU19015020	Bushing	2	
15	886365	Gasket ring	1	
16	GU96508055	Stud bolt	2	
17	1A006283	Long head stud bolt	4	
18	1A006284	Short head stud bolt	4	
19	1A006860	Central head stud bolt	2	
20	484993	Locating dowel	2	
21	1A011206	Coupled crankcase	1	Technical Specification:Engine NEW[NEW]
21	1A0069335	Coupled crankcase	1	Technical Specification:Engine OLD[OLD]
22	GU31003766	Oil unload plug M10x1	1	
23	GU10528900	Gasket	1	
24	GU98682325	Hex socket screw M6x25	12	
25	GU90706281	O-ring 28,24x2,62	1	

Group	Engine
Code	03.050
Description	Air box
Service	1



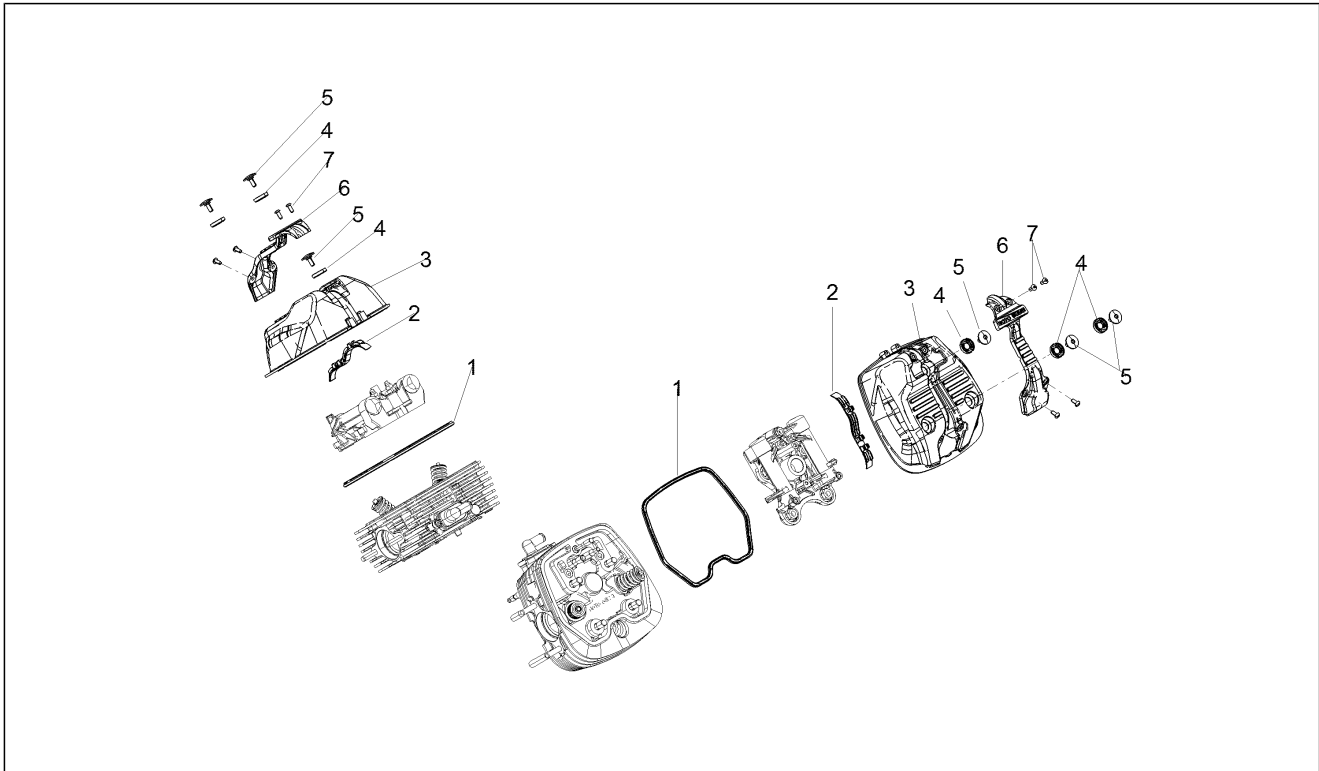
Pos.	Code	Description	Qty	Variants
1	AP8152329	Phillips screw, SWP M5x20	9	
2	2B002832	LH filter housing cover	1	
3	AP8120455	Rubber spacer	1	
4	AP8104525	Filter blow-by	2	
5	2B002851	Diaphragm	1	
6	AP8120615	Gasket D3	1	
7	AP8104924	Air filter	1	
8	887815	Intake hose	1	
9	887843	Air filter cover	1	
10	AP8150509	Self-tap screw 5x14	4	
11	AP8120876	Plug	2	
12	887844	Filter box right shell	1	
13	890760	Instrument support	1	
14	2B002959	Filter box	1	
15	AP8102520	Hose clamp	2	
16	AP8161054	Cap	2	
17	CM258303	Hose clamp 63	1	
18	AP8221023	T bush	2	
19	GU91551010	Rubber 10X20X10	2	

Group	Engine
Code	03.060
Description	Throttle body
Service	1



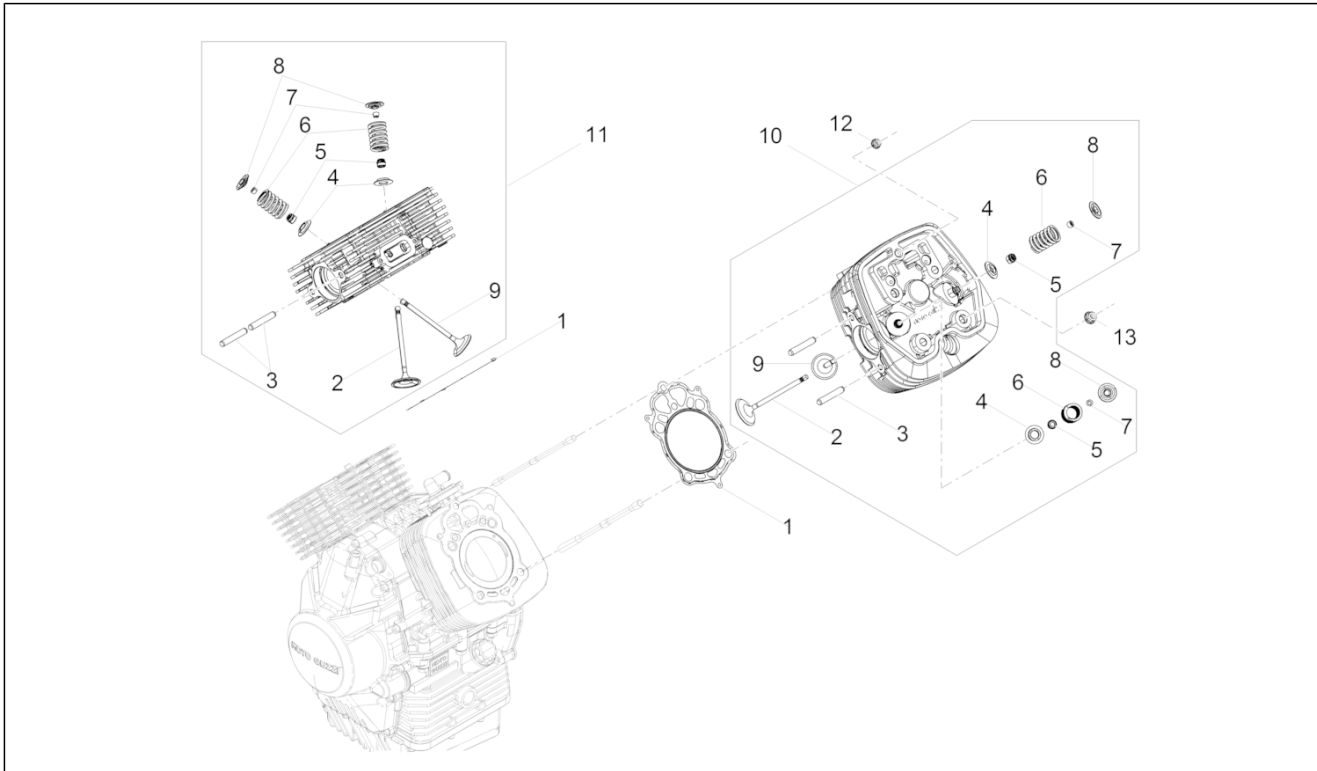
Pos.	Code	Description	Qty	Variants
1	CM275401	Throttle body with E.C.U.	1	
2	1D001393	Injector	2	
3	2A000609	RH union	1	
4	880260	Throttle body cover	1	
5	B0167965	Torx convex big end screw M5x16	3	
6	AP8150500	Hex socket screw M5x9 NERINOX	2	
7	2A000612	Induction joint gasket	2	
8	2A000608	LH union	1	
9	GU98622322	screw	6	
10	GU03013800	Washer 6,4x12	6	
11	884310	Hose clamp D.55	2	
12	2B001823	Throttle body hose	1	
13	CM258301	Hose clamp	1	

Group	Engine
Code	03.090
Description	Head cover
Service	1



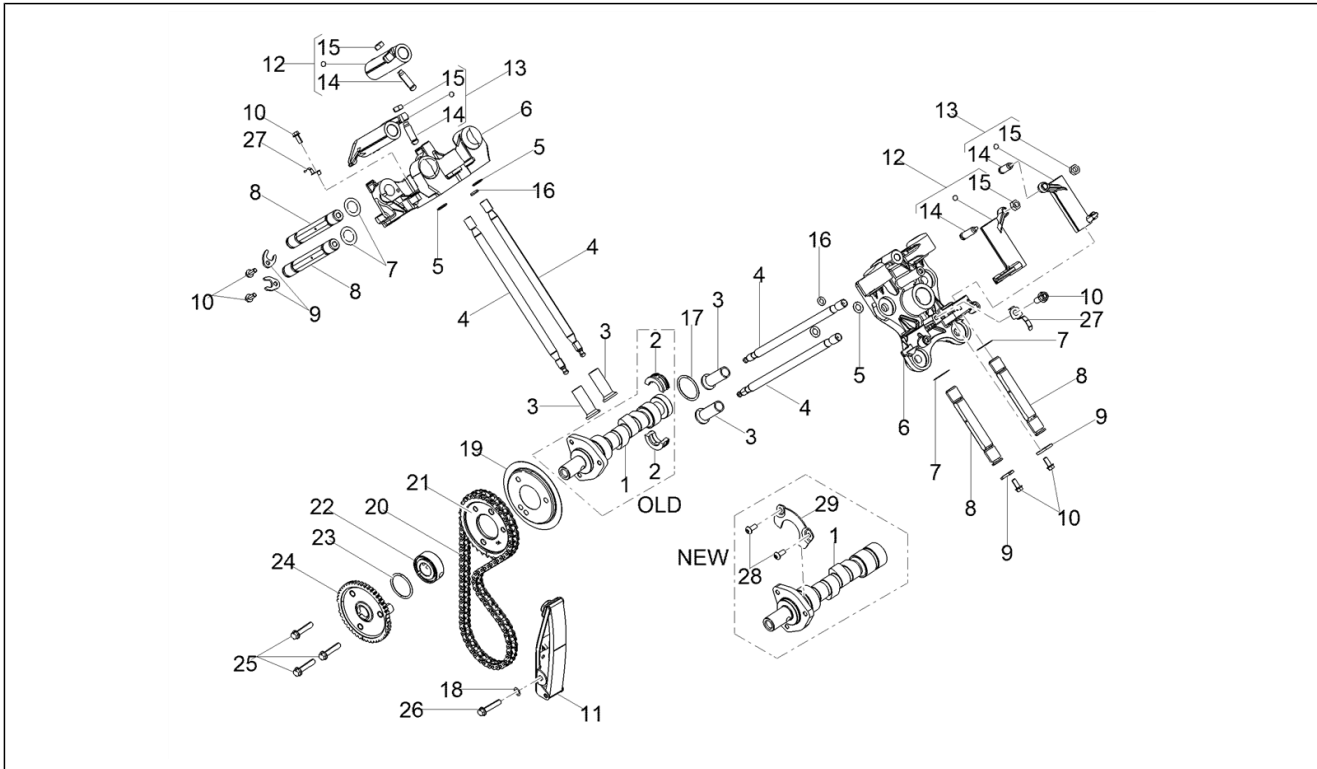
Pos.	Code	Description	Qty	Variants
1	2A000565	Head cover gasket	2	
2	2A000659	Fairlead	2	
3	1A008732	Head cover	2	
4	1A006716	Damper drift	6	
5	976591	Special screw	6	
6	2A000620	Spark plug cover	2	
7	AP8152267	Hex socket screw M5x12	8	

Group	Engine
Code	03.100
Description	Cylinder head - valves
Service	1



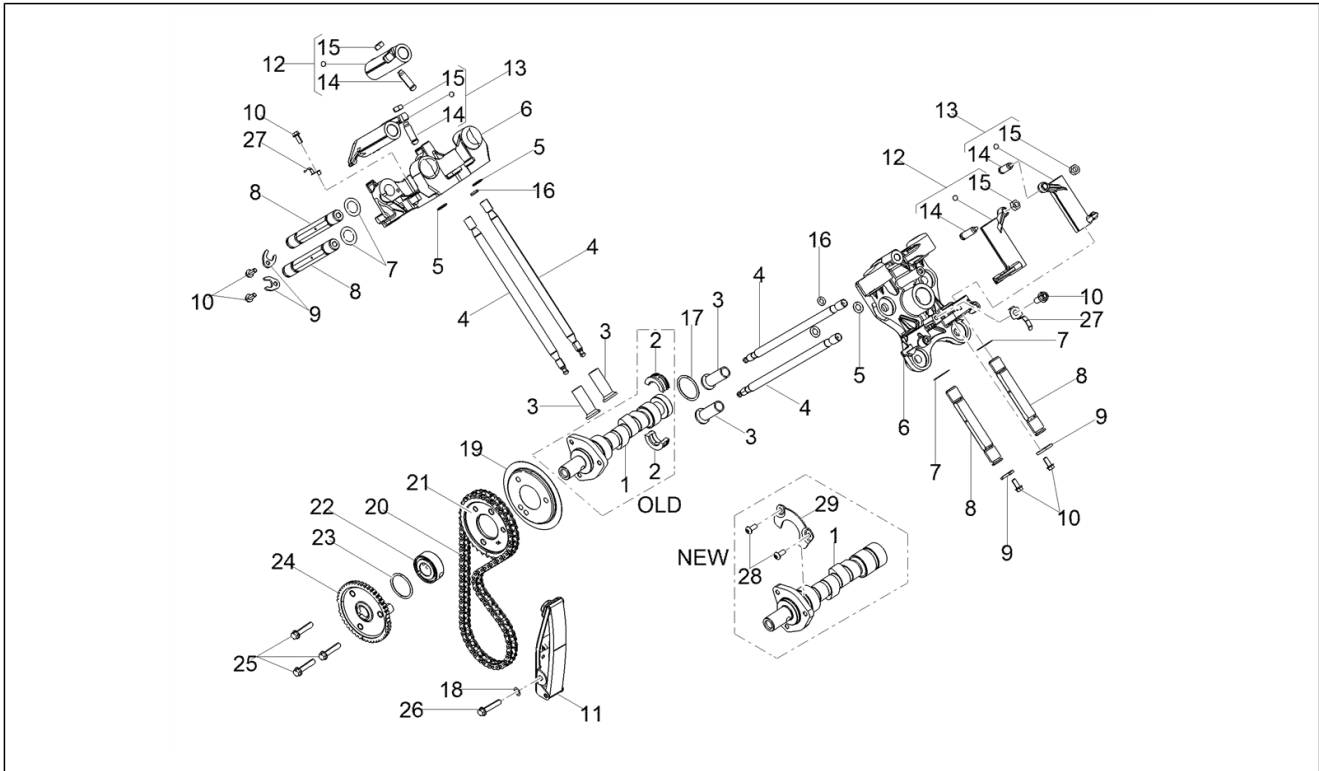
Pos.	Code	Description	Qty	Variants
1	1A004660	Cylinder/head gasket sp. 0,6 mm	1	
1	1A004661	Cylinder/head gasket SP. 0.8 mm	1	
1	1A004662	Cylinder/head gasket SP. 1 mm	1	
2	1A005424	Valve, in	1	
3	B017636	Exhaust pipe stud bolt	2	
4	1A004751	Lower cap	4	
5	1A003452	Valve gasket ring	2	
6	1A004752	Return spring	2	
7	871640	Half-cone	8	
8	1A004750	Upper cap	4	
9	1A005425	Exhaust valve	1	
10	1A0068695	LH head assy with valve	1	
11	1A0068705	RH head assy w/h valve	1	
12	1A006659	Flanged nut M8x1.25	1	
13	825694	Nut M10x1,25	1	

Group	Engine
Code	03.120
Description	Timing system
Service	1



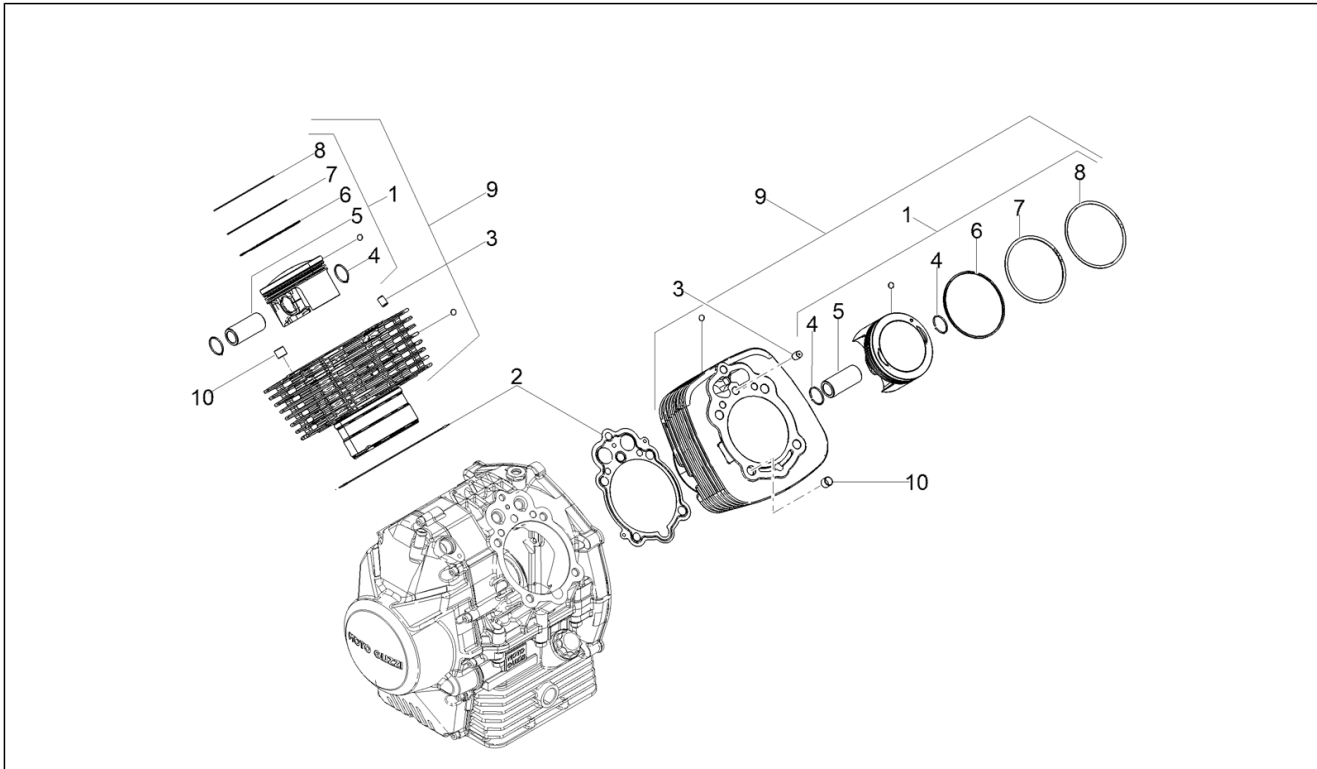
Pos.	Code	Description	Qty	Variants
1	1A010701	Camshaft	1	Technical Specification: Engine NEW[NEW]
1	1A005712	Camshaft	1	Technical Specification: Engine OLD[OLD]
2	GU19055700	Sector	2	Technical Specification: Engine OLD[OLD]
3	GU19045861	Tappet	4	
4	2A000496	Rocker arm rod	4	
5	2A000579	O-Ring seal ring 2,62x9.19	4	
6	1A010730	Rocker arm support	2	
7	1A005951	Curved spring washer	4	
8	2A000528	Rocker shaft	4	
9	2A000521	Fork	4	
10	AP8152272	Screw w/ flange M5x12	4	
11	GU19058220	Chain stretching drive	1	
12	1A004905	Left exhaust right intake rocker	2	
13	1A004903	Right exhaust left intake rocker	2	
14	1A004907	Adjuster screw	2	
15	GU10034100	Nut	2	
16	1A006861	Gasket ring	2	
17	GU90353029	Snap ring	1	
18	GU95129115	Washer	1	
19	1A005955	Plate	2	
20	GU19058021	Camshaft chain	1	
21	1A006243	Timing system gear	1	
22	1A006119	Spacer	1	
23	1A006127	Oring	1	
24	1A0057145	Phonic wheel	1	
25	1A008576	Flanged hexagonal head screw M6x32 M6x32	3	
26	GU98882316	screw	1	
27	2A000527	Plate	2	

Group	Engine
Code	03.120
Description	Timing system
Service	1



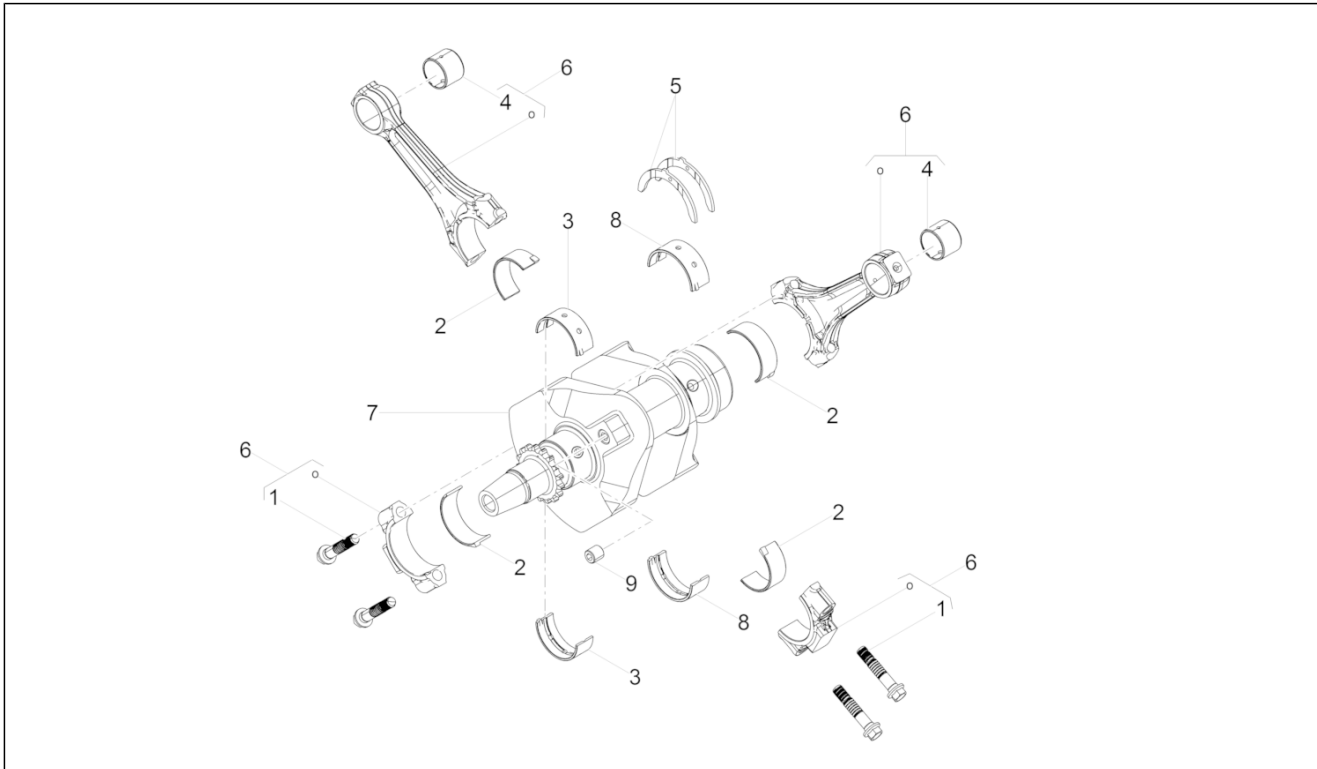
Pos.	Code	Description	Qty	Variants
28	B014598	Torx Screw M5x12	2	Technical Specification:Engine NEW[NEW]
29	1A009346	Camshaft retaining plate	1	Technical Specification:Engine NEW[NEW]

Group	Engine
Code	03.150
Description	Cylinder - Piston
Service	1



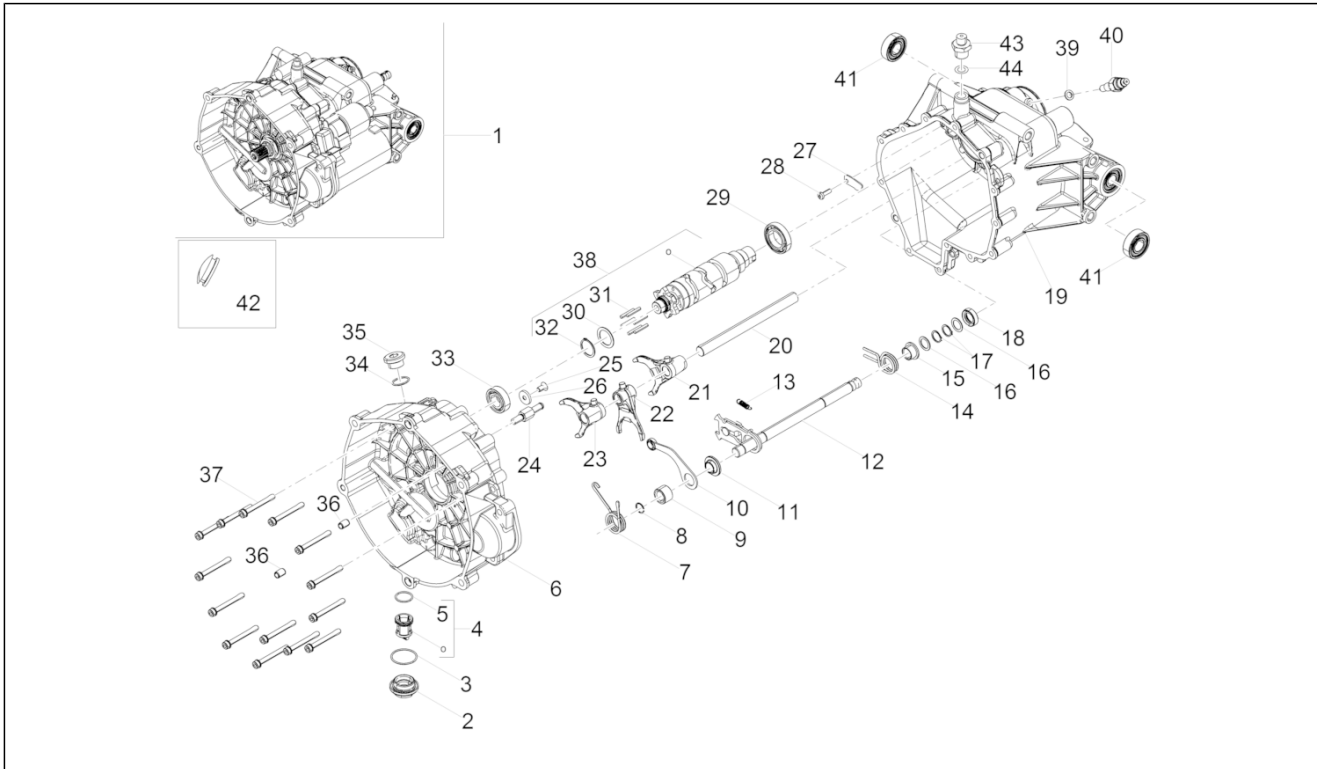
Pos.	Code	Description	Qty	Variants
1	1A006272AA	Complete piston, selection class "G"	1	
1	1A006272BB	Complete piston, selection class "H"	1	
1	1A006272CC	Complete piston, selection class "L"	1	
1	1A006272DD	Complete piston, selection class "M"	1	
2	1A007070	Crankcase/cylinder gasket	2	
3	GU19021360	Bushing	2	
4	874567	Stop ring	4	
5	1A004956	Piston pin	2	
6	1A004955	Oil scraper ring	2	
7	1A004954	Compression ring	2	
8	1A004953	Compression ring	2	
9	1A007111	Cylinder with piston	1	
10	825597	Pin 11,8X10	2	

Group	Engine
Code	03.160
Description	Drive shaft
Service	1



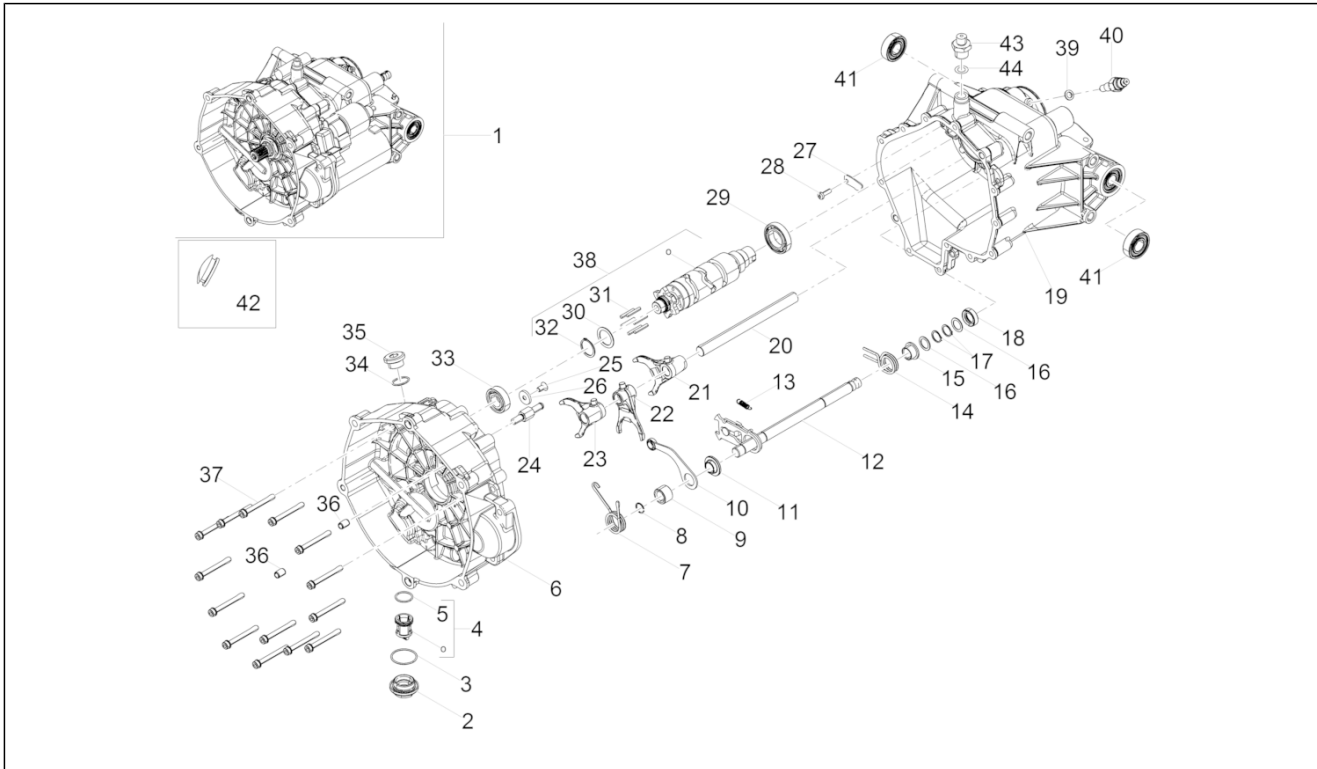
Pos.	Code	Description	Qty	Variants
1	GU19062261	screw	4	
2	1A0068960B	Connecting rod half-bearing, blue	4	
2	1A0068960G	Connecting rod half-bearing, yellow	4	
2	1A0068960R	Connecting rod half-bearing, red	4	
3	1A0066680G	Front main half-bearing, yellow	1	
3	1A0066680N	Front main half-bearing, black	1	
3	1A0066680V	Front main half-bearing, green	1	
4	GU27061885	Bushing	2	
5	GU27066460	Half-clamp	2	
6	1A005325AA	Connecting rod, selection class "A"	1	
6	1A005325BB	Connecting rod, selection class "B"	1	
7	1A006671AA	Crankshaft cpl.,cat.1	1	
7	1A006671BB	Crankshaft, assy. class 2	1	
8	1A0066690G	Rear main half-bearing, yellow	2	
8	1A0066690N	Rear main half-bearing, black	2	
8	1A0066690V	Rear main half-bearing, green	2	
9	GU19065400	Cover	1	

Group	Engine
Code	03.170
Description	Gear box / Selector / Shift cam
Service	1



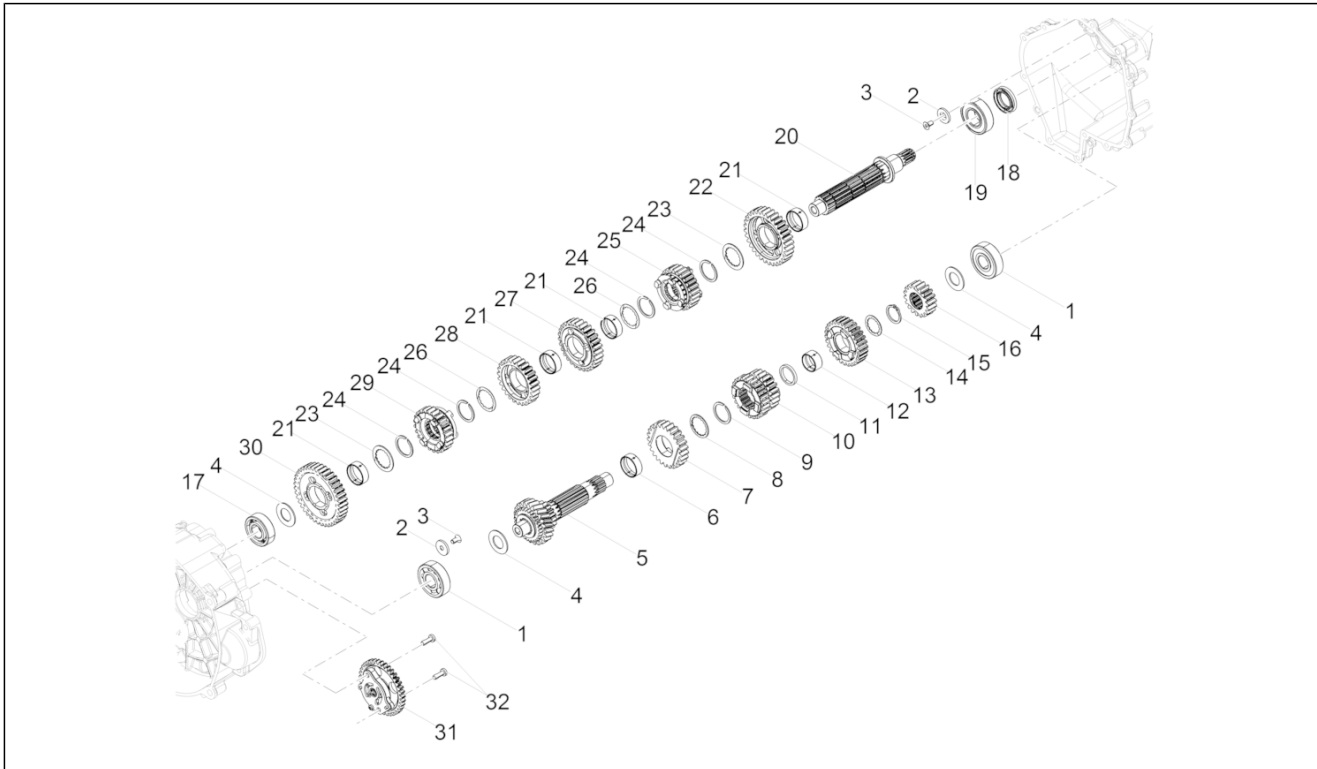
Pos.	Code	Description	Qty	Variants
1	2A0009145	Gear box assy	1	
2	B015598	Oil filter plug	1	
3	285536	O-ring 31,47x1,78	1	
4	B018020	Oil filter cpl.	1	
5	B017406	O-ring 20.35x1.78	1	
6	2A0009105	Clutch drum	1	
7	B064113	Index spring	1	
8	GU90353014	Circlip	1	
9	GU05234230	Spacer	1	
10	B064112	Index assy. lever	1	
11	GU05238431	Bushing	1	
12	2A000219	Preselection complete	1	
13	GU05238231	Spring	1	
14	B063956	Spring	1	
15	2A000467	Spacer	1	
16	GU05239330	Fifth wheel	2	
17	GU90271014	Circlip	2	
18	GU90401424	Gasket ring 14x24x7	1	
19	2A0009085	Gear box	1	
20	2A000224	Rod	1	
21	2A000226	Fork 2-3 speed	1	
22	2A000227	5-6 gear fork	1	
23	2A000225	Fork for secondary shaft	1	
24	2A000415	Set screw	1	
25	B013608	Screw	1	
26	873905	Washer	1	
27	2A000306	Lock plate	1	
28	2A000241	Screw M5x16	1	

Group	Engine
Code	03.170
Description	Gear box / Selector / Shift cam
Service	1



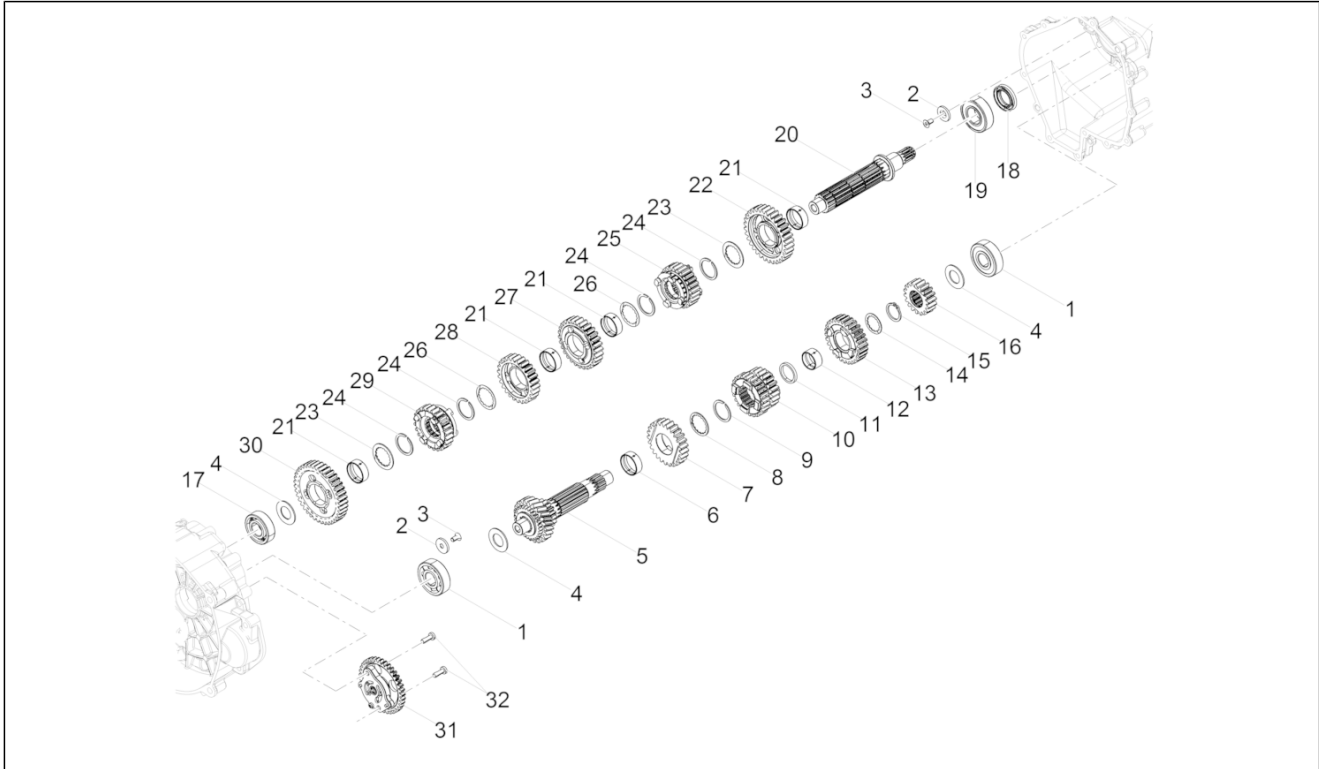
Pos.	Code	Description	Qty	Variants
29	857250	Ball bearing 25x42x9	1	
30	GU05235531	Tickness	1	
31	GU05234631	Pin	6	
32	GU90271022	Circlip	1	
33	834764	Bearing	1	
34	GU90706203	O-ring 20,24X2,62	1	
35	GU12022600	Oil plug	1	
36	GU19002020	Bushing 6,6x9x13	2	
37	2A000591	Special hex socket screw M6x55	14	
38	2A000222	Shift cam cpl.	1	
39	B063025	Gasket 8.7x14.2x1.3	1	
40	B063269	Sensor	1	
41	2A000097	Ball bearing 6202-2RSH/C3 LHT23	2	
42	GU93180220	Cover	1	
43	2A000823	Breather plug	1	
44	224566	Washer	1	
45	658837	Crinkle washer D15 F8,4 S1,5 - INOX	6	
46	GU98680440	Hex socket screw M8x40	6	

Group	Engine
Code	03.180
Description	Gear box - Gear assembly
Service	1



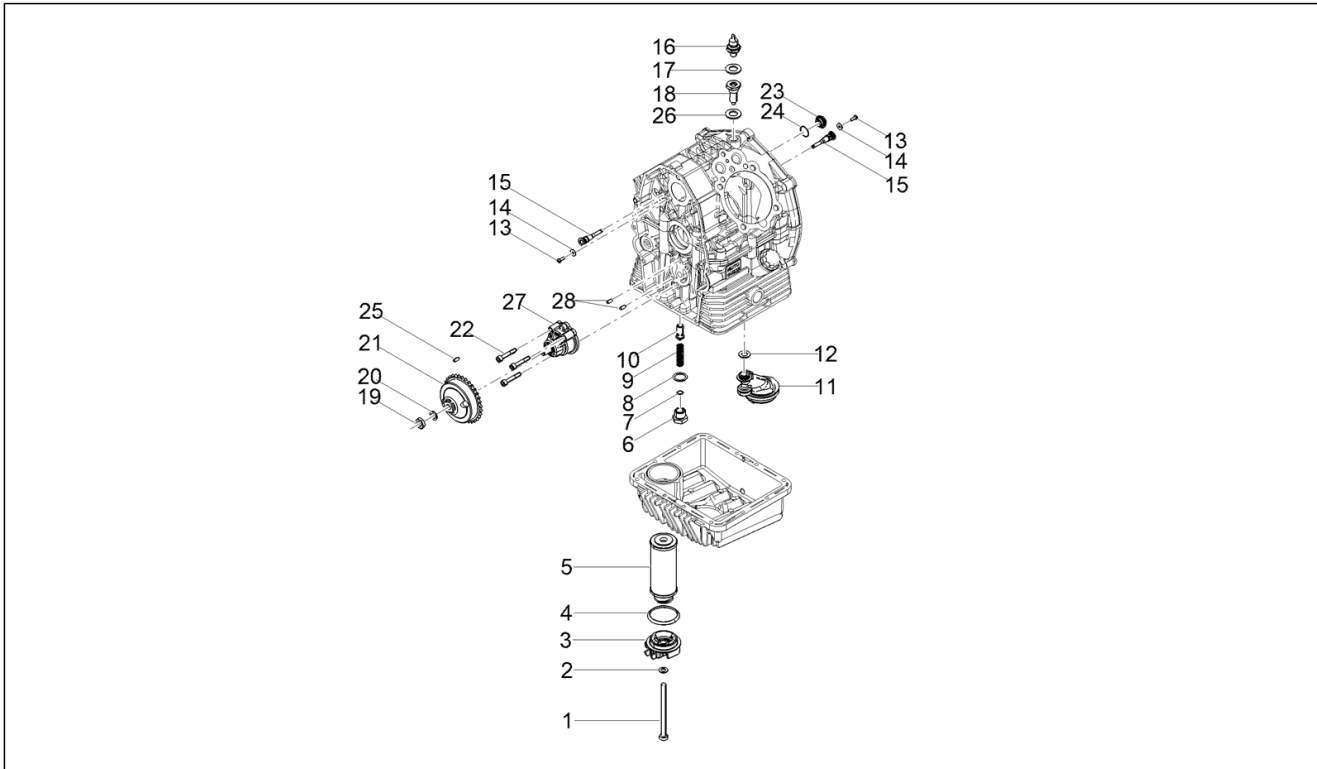
Pos.	Code	Description	Qty	Variants
1	GU92201822	Ball bearing 20x52x15	2	
2	873928	Washer	2	
3	B013608	Screw	2	
4	1A000566	Thrust washer	1	
5	2A000727	Primary gear shaft	1	
6	849308	Moveable bush	1	
7	1A000360	Fifth speed gear	1	
8	849424	Clearance washer	1	
9	1A002604	Shaft snap ring	1	
10	1A000436	Sliding pinion 3a - 4a vel.	1	
11	B015040	Thrust washer	1	
12	974162	Moveable bush	1	
13	2A000627	Gear 6a	1	
14	849396	Clearance washer	1	
15	974165	Snap ring	1	
16	1A000365	2nd pinion gear	1	
17	848650	Ball bearing 20x47x14	1	
18	GU90412541	Gasket ring 25X40X7	1	
19	GU92201226	Ball bearing 25x52x15	1	
20	2A000203	Secondary gearbox shaft	1	
21	849308	Moveable bush	4	
22	1A000366	Second speed gear Z=32	1	
23	849309	Clearance washer	2	
24	1A002604	Shaft snap ring	4	
25	1A000370	Gear 6a Z=24	1	
26	849310	Clearance washer	2	
27	1A000367	Third speed gear Z=28	1	
28	1A000368	Fourth speed gear Z=26	1	

Group	Engine
Code	03.180
Description	Gear box - Gear assembly
Service	1



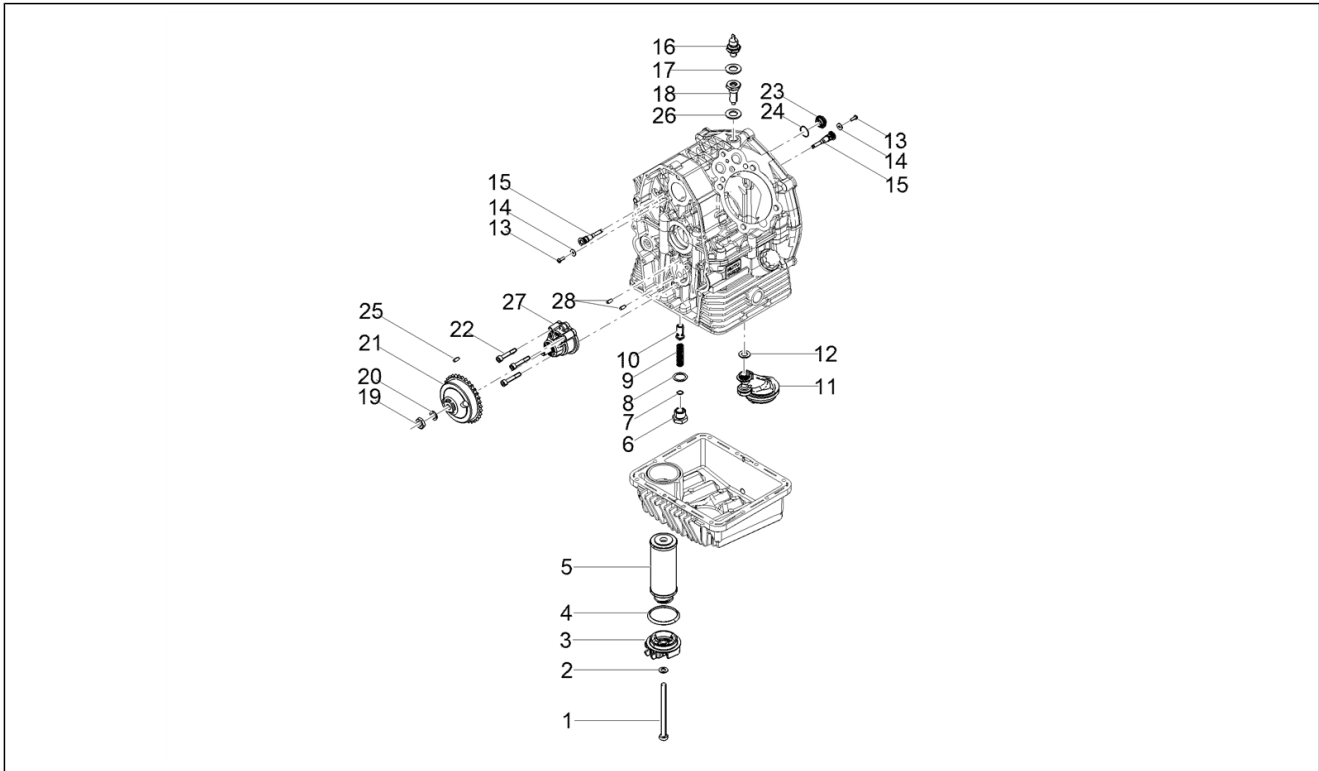
Pos.	Code	Description	Qty	Variants
29	1A000369	Fifth speed gear Z=24	1	
30	2A000629	1st gear	1	
31	B018448	Oil pump assy.	1	
32	2A000241	Screw M5x16	2	

Group	Engine
Code	03.190
Description	Lubrication
Service	1



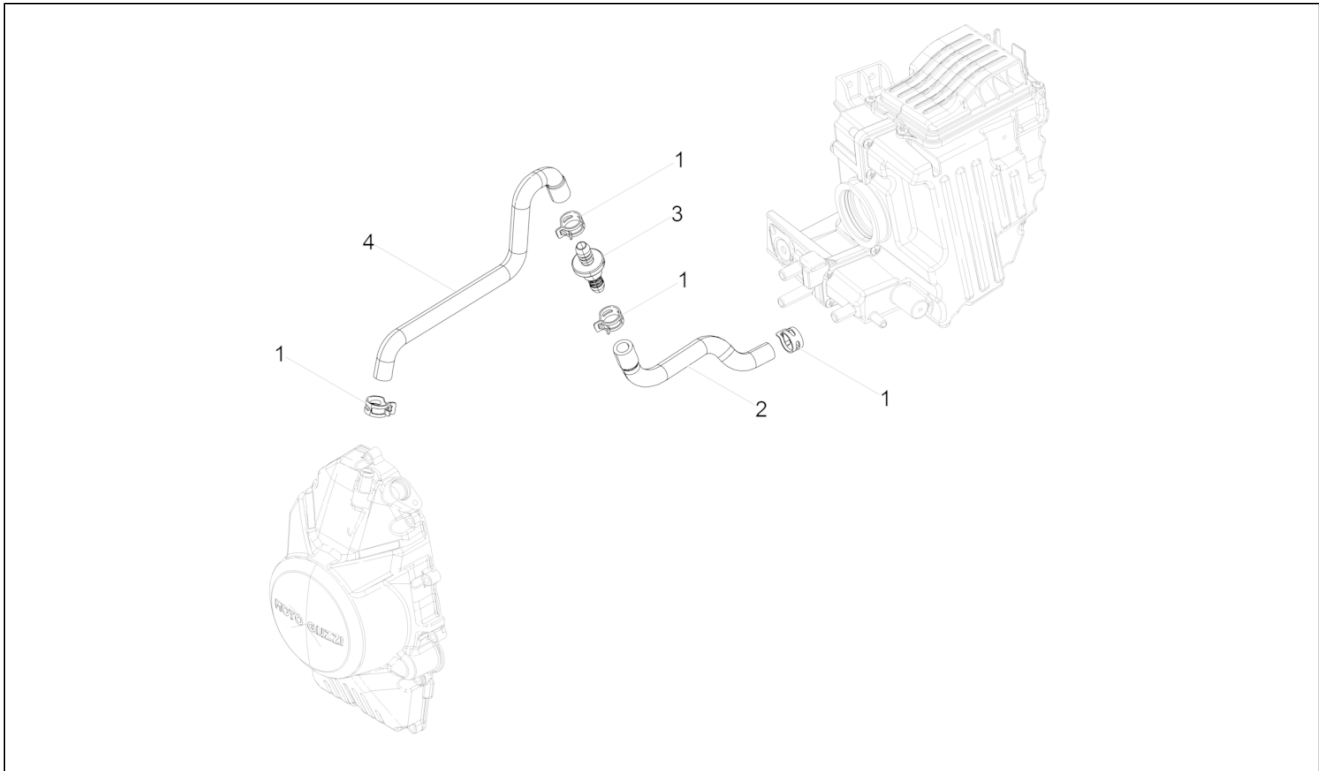
Pos.	Code	Description	Qty	Variants
1	GU27152885	Bolt	1	
2	GU12154200	Gasket 8,25x15x1	1	
3	1A005199	Oil filter cover	1	
4	GU90706444	O-ring	1	
5	2A000633	Oil filter	1	
6	GU31159050	Cover	1	
7	GU95008206	Washer 6,15x11x0,8	1	
8	GU18144350	Washer 18,25x24x1	3	
9	GU94321079	Spring	1	
10	1A014844	Oil pressure adjusting valve	1	
11	1A004549	Oil strainer	1	
12	237553	O-ring	1	
13	1A005257	Oval head screw torx	2	
14	013763	Flat washer 4,2x12x1	2	
15	1A004442	Piston cooling jet	2	
16	643090	Minimum oil pressure sensor	1	Technical Specification: Engine OLD[OLD] Engine NEW[NEW]
17	GU95100309	Washer	1	Technical Specification: Engine OLD[OLD] Engine NEW[NEW]
18	887093	Union	1	Technical Specification: Engine OLD[OLD]
19	GU92602510	Nut M10x1,25	1	
20	AP8152220	Washer	1	
21	GU20147710	Pump gear	1	
22	1A007008	Hex socket screw M6x35 preimpregnata	3	
23	826165	Oil filter plug	1	
24	285536	O-ring 31,47x1,78	1	
25	GU92296723	Roller	1	
26	GU95100602	Gasket	1	Technical Specification: Engine OLD[OLD]

Group	Engine
Code	03.190
Description	Lubrication
Service	1



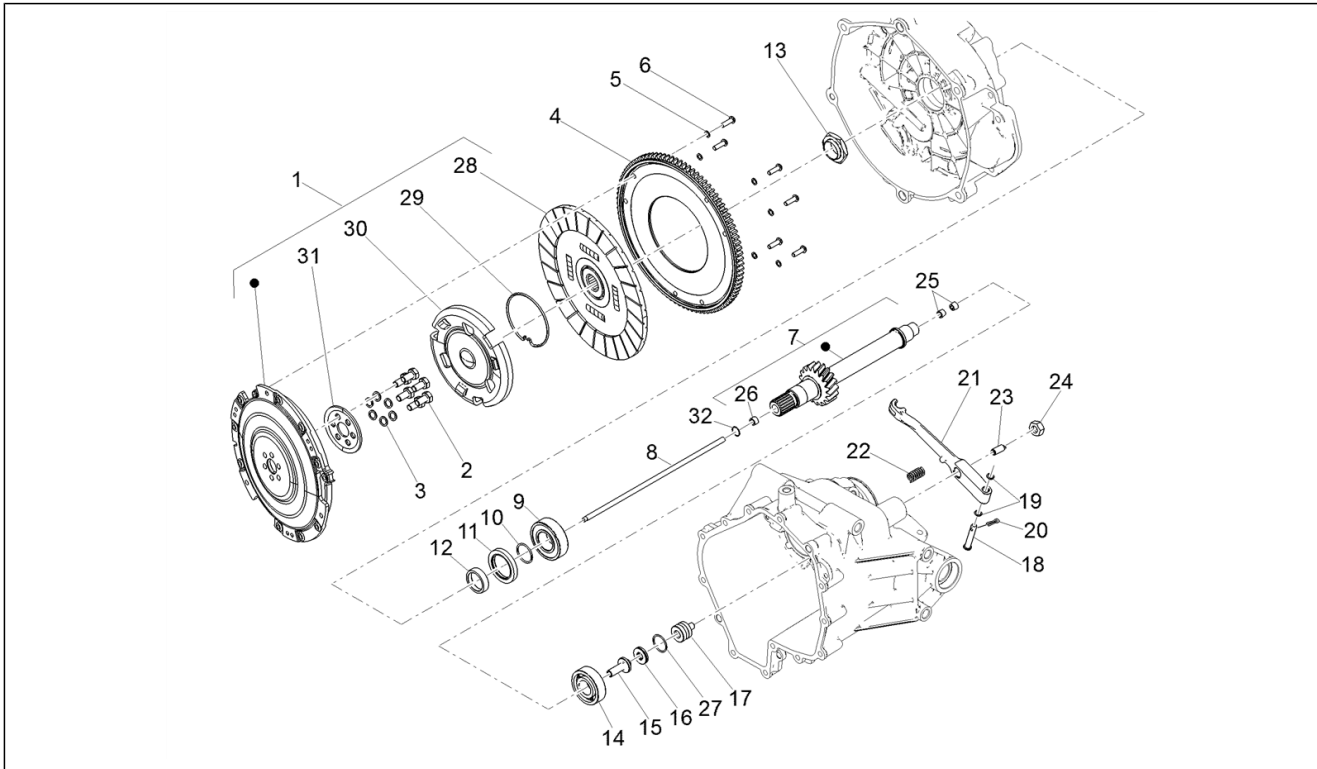
Pos.	Code	Description	Qty	Variants
27	1A006053	Oil pump assembly	1	
28	GU19018920	Pin	2	

Group	Engine
Code	03.196
Description	Blow-by system
Service	1



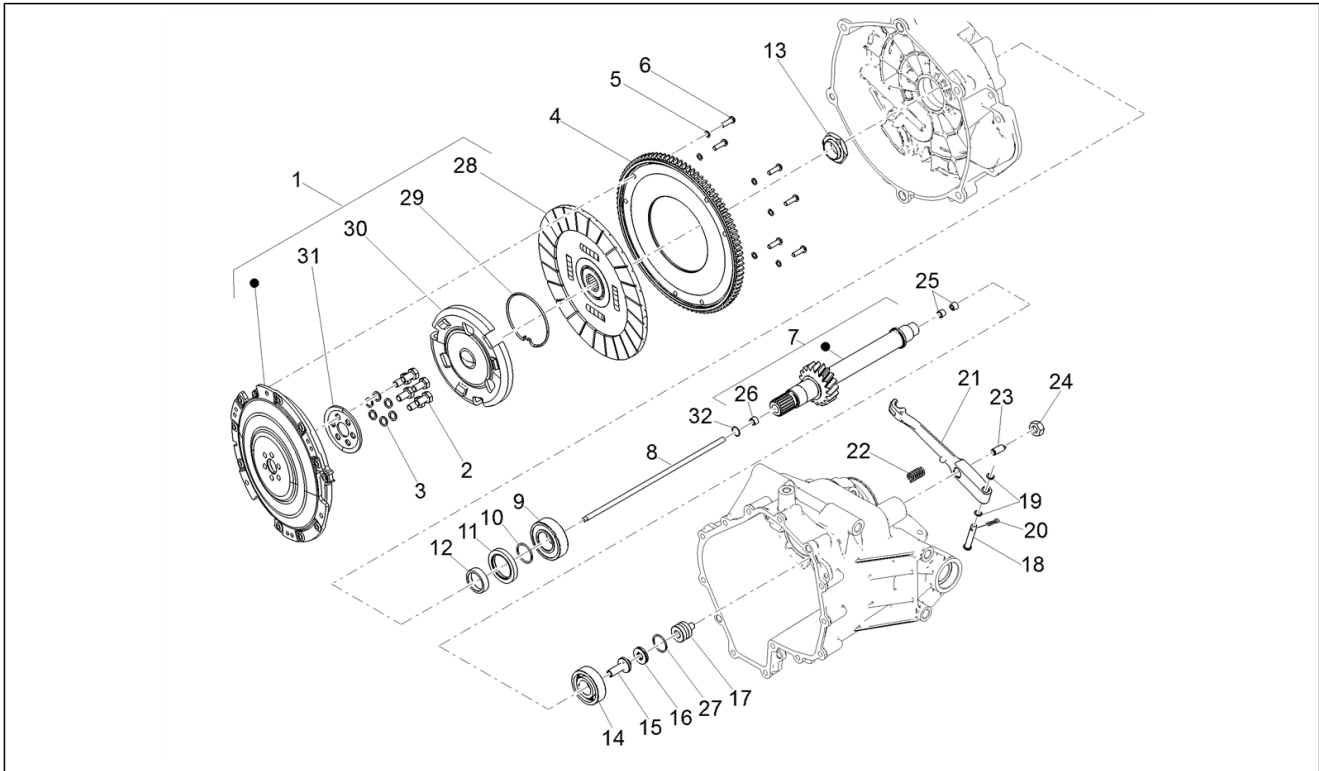
Pos.	Code	Description	Qty	Variants
1	CM226902	Spring clamp 19/12	4	
2	2B003204	Blow-by pipe	1	
3	2B003105	Anti-return valve	1	
4	2B002602	Blow-by pipe	1	

Group	Engine
Code	03.230
Description	Clutch
Service	1



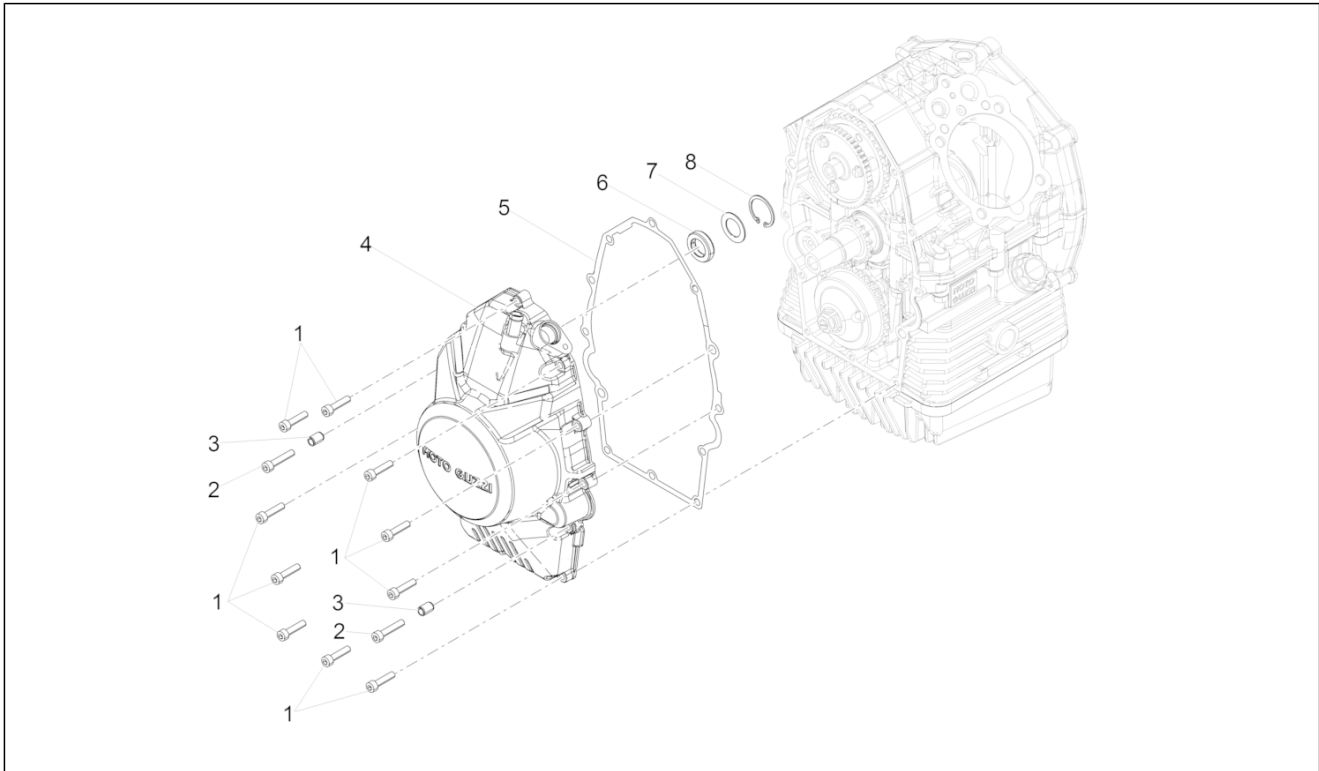
Pos.	Code	Description	Qty	Variants
1	2A000419	Complete single plate clutch assembly	1	
2	GU19067700	screw	6	
3	GU14615901	Washer 8,4X13X0,8	6	
4	2A000724	Starter ring gear	1	
5	GU14217901	Washer 6,4x10x0,7	6	
6	2A000774	Oval head torx screw M6X20	6	
7	2A000792	Clutch shaft cpl. Z=21	1	
8	2A000216	Drive rod	1	
9	GU92201226	Ball bearing 25x52x15	1	
10	GU90706235	O-ring 23,52x1,78	1	
11	886629	Gasket ring	1	
12	1A008627	Spacer	2	
13	1A014685	Nut M25x1,5	1	
14	2A000375	Ball bearing	1	
15	B013037	Clutch gear	1	
16	2A000376	Thrust bearing	1	
17	GU14086100	Outer body	1	
18	2A000384	Lever pin	1	
19	2A000385	O-ring 6.5x1.5	2	
20	GU95500222	Split pin	1	
21	2A000631	Clutch release shaft	1	
22	GU94321105	Lever return spring	1	
23	2A000838	Adjuster screw	1	
24	GU92606508	Nut	1	
25	GU14085900	Bush	2	
26	GU05217630	Bushing	1	
27	GU90706170	O-ring 17,13x2,62	1	
28	2A000770	Driven clutch disc	1	

Group	Engine
Code	03.230
Description	Clutch
Service	1



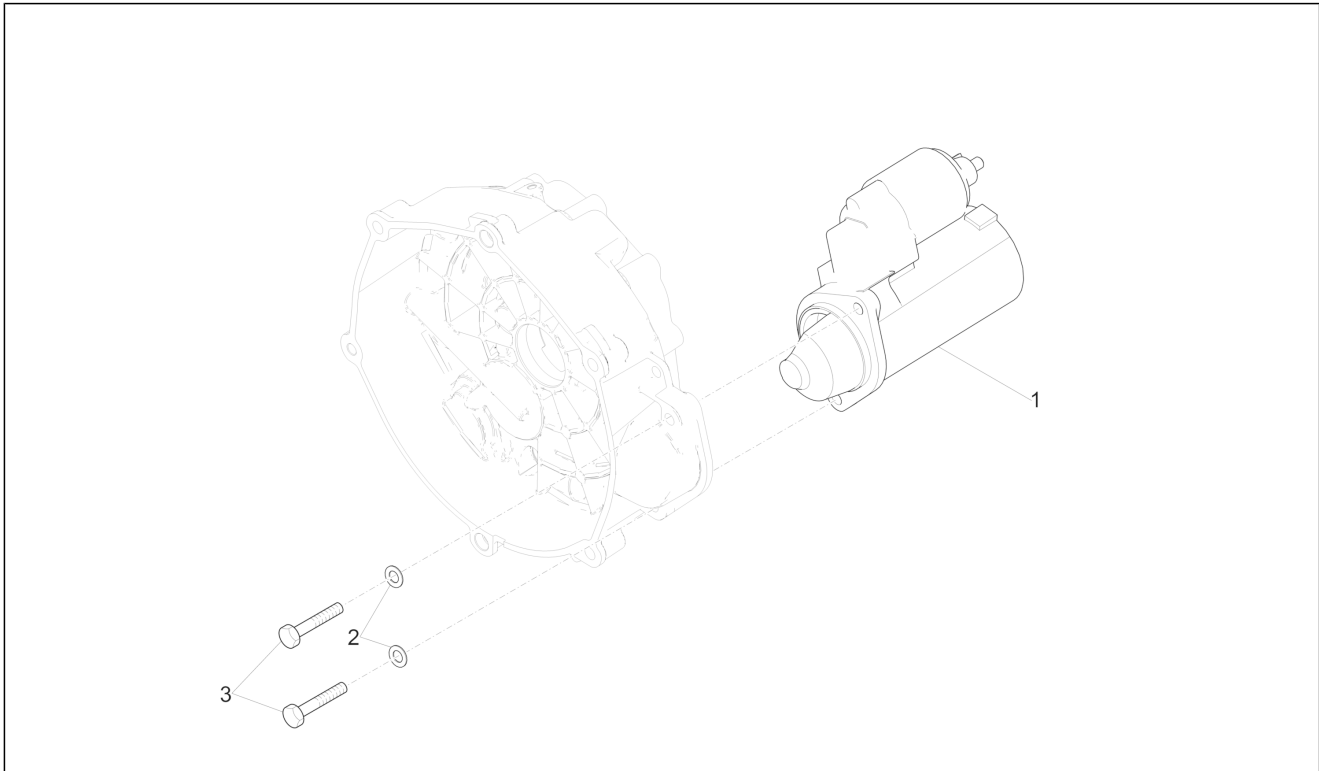
Pos.	Code	Description	Qty	Variants
29	2A000418	Ring	1	
30	2A000638	Spring cap	1	
31	2A000741	Support	1	
32	2A000378	Gasket ring	1	

Group	Engine
Code	03.270
Description	Flywheel cover
Service	1



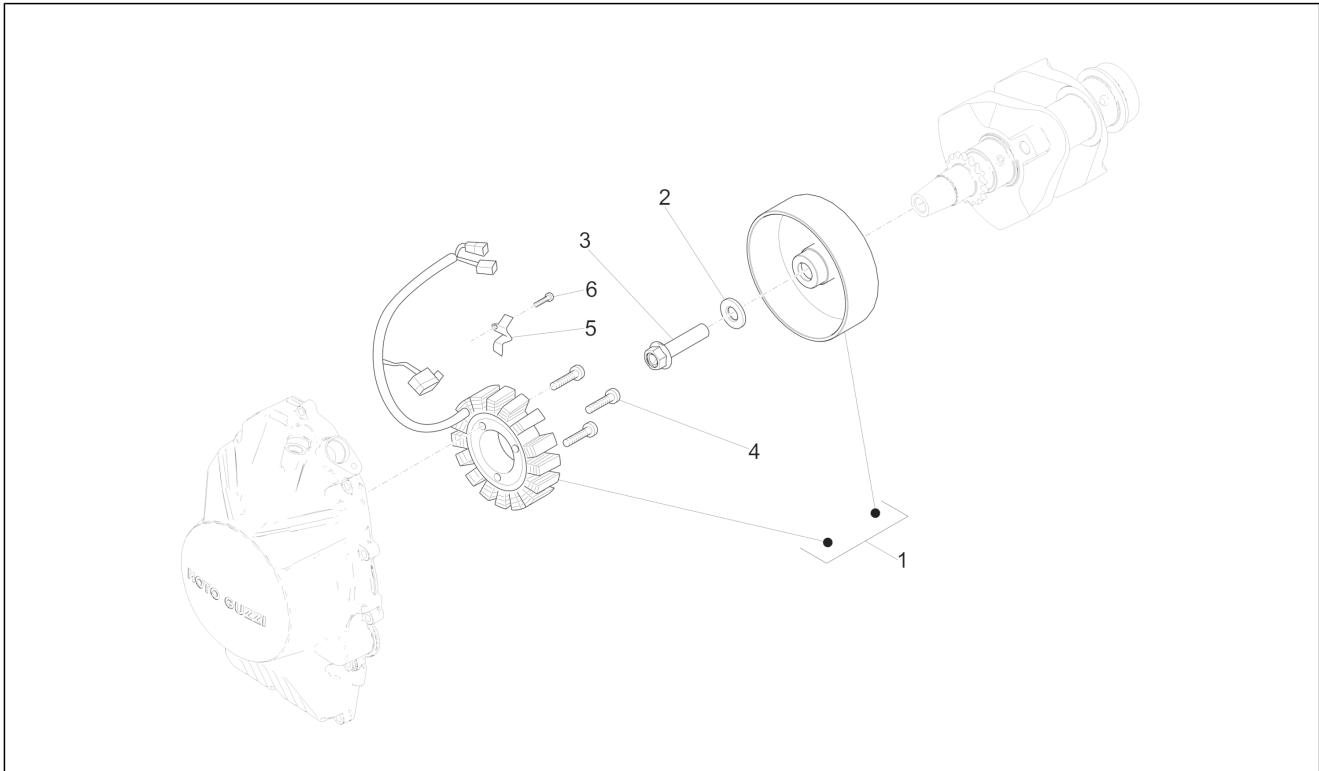
Pos.	Code	Description	Qty	Variants
1	GU98682325	Hex socket screw M6x25	10	
2	GU98682330	Hex socket screw M6x20	2	
3	GU19002020	Bushing 6,6x9x13	2	
4	1A006298	Cover	1	
5	887003	Cover gasket	1	
6	898268	Gasket ring 18x30x7	1	
7	898269	Clearance washer	1	
8	006630	Snap ring	1	

Group	Engine
Code	03.290
Description	Starter / Electric starter
Service	1



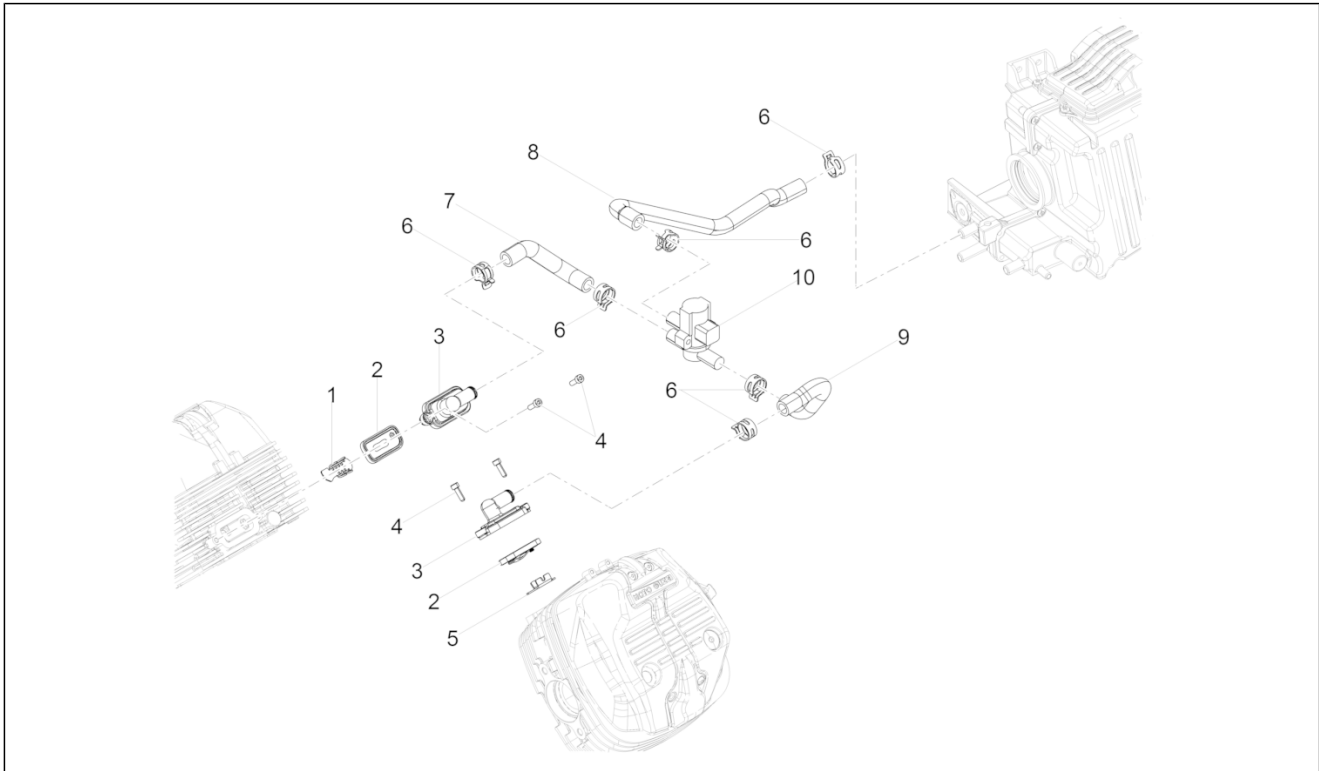
Pos.	Code	Description	Qty	Variants
1	97729R	Starter motor	1	
2	GU95008208	Washer 8,4X15X1,5	2	
3	GU98682435	Hex socket screw	2	

Group	Engine
Code	03.300
Description	Cdi magneto assy / Ignition unit
Service	1



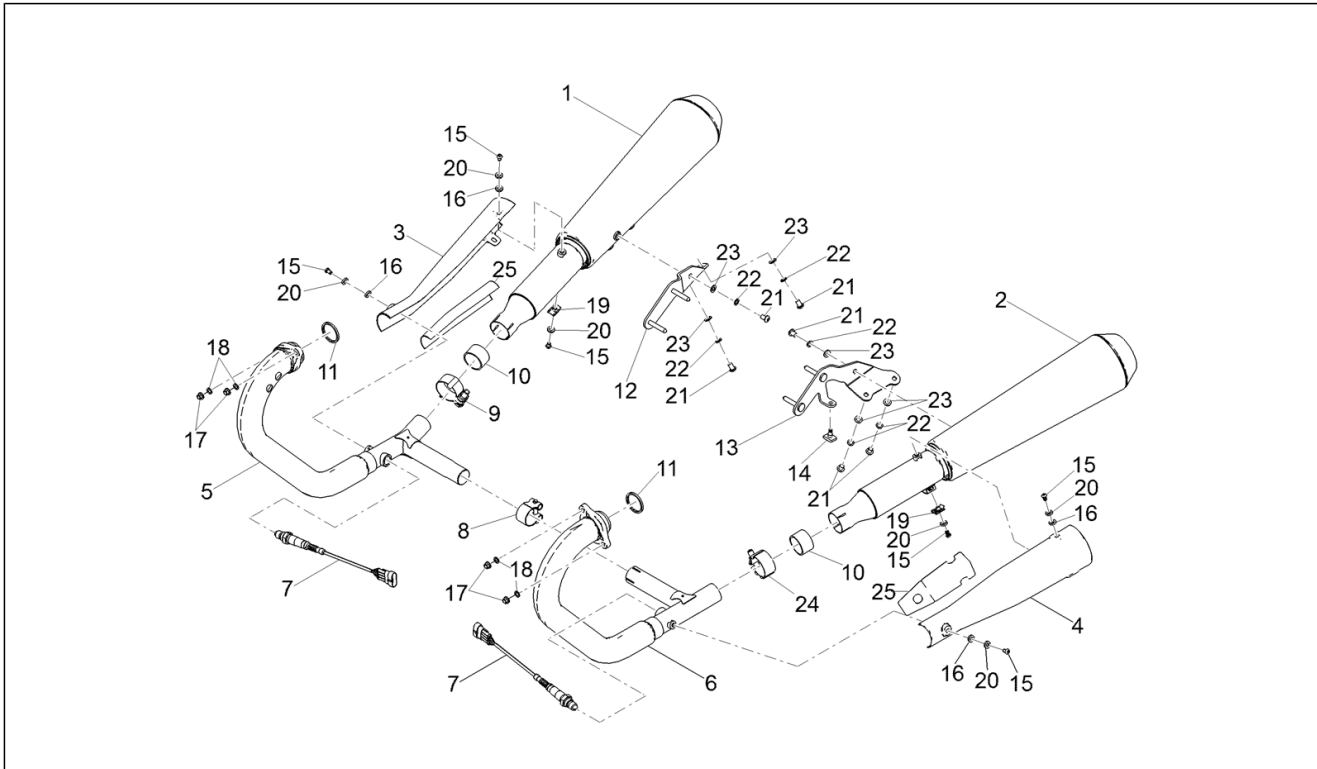
Pos.	Code	Description	Qty	Variants
1	2D000024	Cdi magneto assy	1	
2	897478	Washer 12x26.5x3	1	
3	857206	Screw w/ flange M12X1,25X50	1	
4	2A000129	Low head socket screw M6x35	3	
5	2A000115	Plate	1	
6	GU98682212	Hex socket screw M5x12	1	

Group	Engine
Code	03.320
Description	Secondary air
Service	1



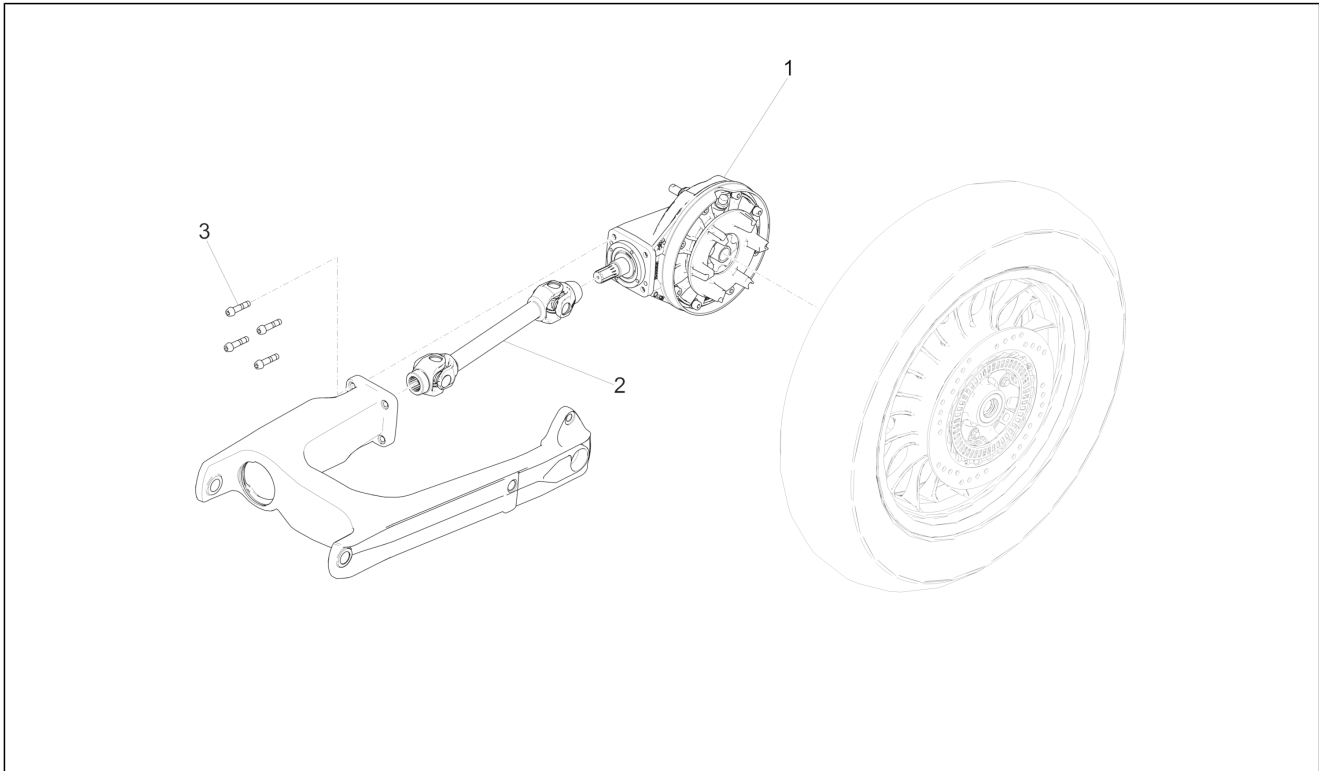
Pos.	Code	Description	Qty	Variants
1	857047	Spark arrester	1	
2	857045	Reed valve	2	
3	2A000597	Cover	1	
4	GU98612216	Hex socket screw	2	
5	857046	Spark arrester	1	
6	CM226902	Spring clamp 19/12	6	
7	2B002529	RH pipe "S.A.S."	1	
8	2B002531	Filter box pipe "S.A.S."	1	
9	2B002530	LH pipe "S.A.S."	1	
10	857181	SAS valve	1	

Group	Engine
Code	03.330
Description	Exhaust pipe
Service	1



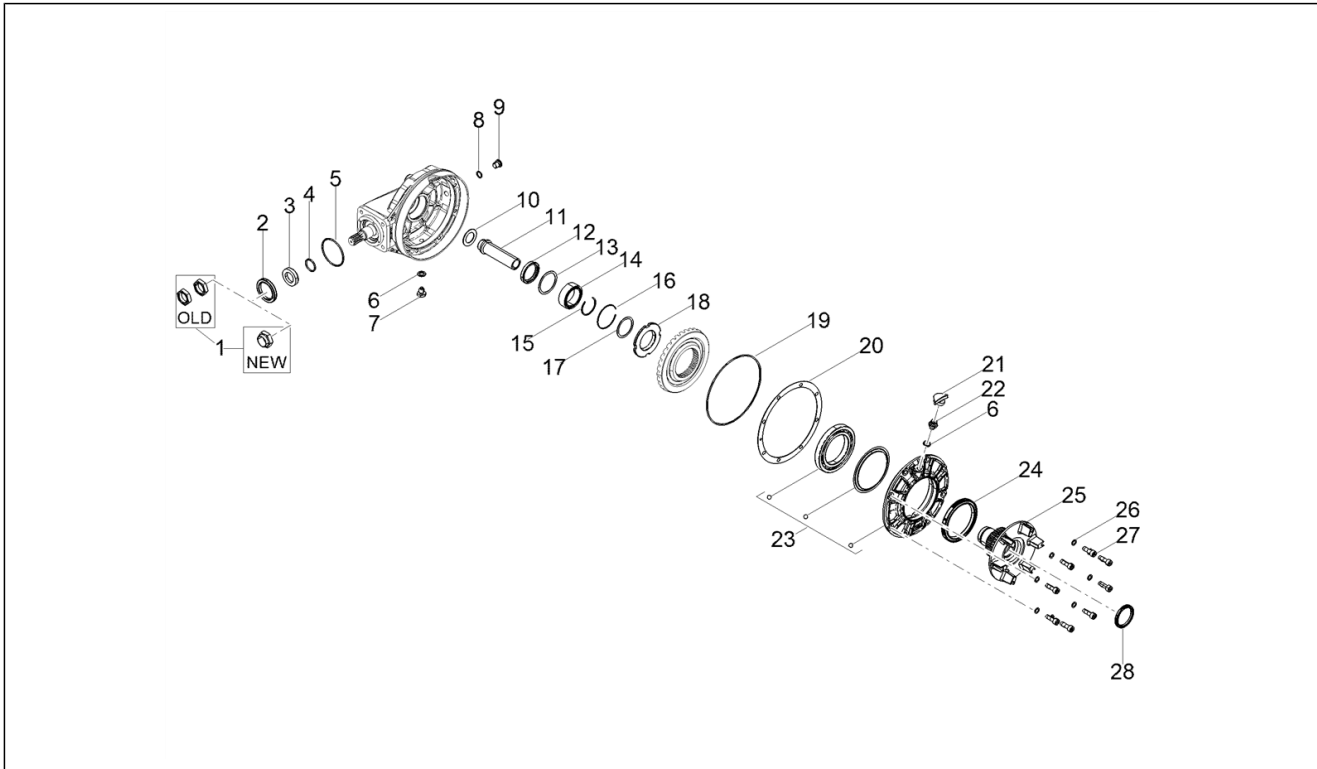
Pos.	Code	Description	Qty	Variants
1	2B0048525	RH silencer	1	
2	2B0048515	LH silencer	1	
3	2B0026145	RH chromed silencer guard	1	
4	2B0046095	LH chromed silencer guard	1	
5	2B004546	Right exhaust manifold	1	
6	2B004547	Left exhaust manifold	1	
7	896110	Lamda sensor (L. 660 mm)	2	
8	B063292	D.37 clamp	1	
9	874957	Hose clamp	1	
10	GU91113826	Bushing	2	
11	852090	Exhaust pipe gasket	2	
12	2B002533	Right silencer support bracket with i.p.	1	
13	2B002532	Left silencer support bracket with i.p.	1	
14	AP8120455	Rubber spacer	1	
15	2B000215	Screw w/ flange M6x10	6	
16	876879	Spacer	4	
17	GU92660021	Flanged nut M8	4	
18	GU14615901	Washer 8,4X13X0,8	4	
19	254485	Spring plate M6	2	
20	834951	Conical washer	6	
21	AP8152055	Hex socket screw M8x12	6	
22	GU14615901	Washer 8,4X13X0,8	6	
23	GU95008208	Washer 8,4X15X1,5	6	
24	2B001935	Hose clamp	1	
25	2B003284	Heat protection	2	

Group	Engine
Code	03.340
Description	Transmission complete
Service	1



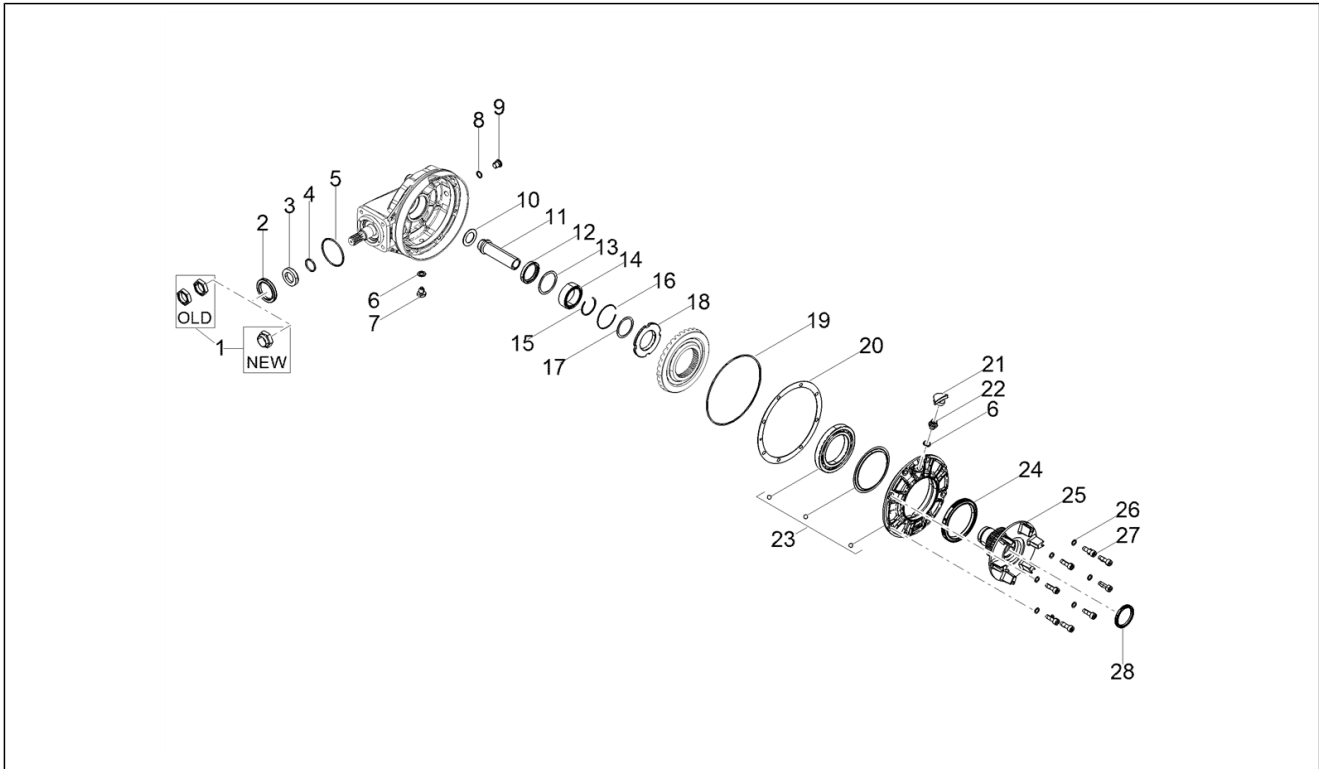
Pos.	Code	Description	Qty	Variants
1	2B0011535	Transmission complete	1	
2	2B002298	Drive shaft	1	
3	2B002699	Torx M8x35 cap screw with pre-coated collar	4	

Group	Engine
Code	03.350
Description	Rear transmission / Components
Service	1



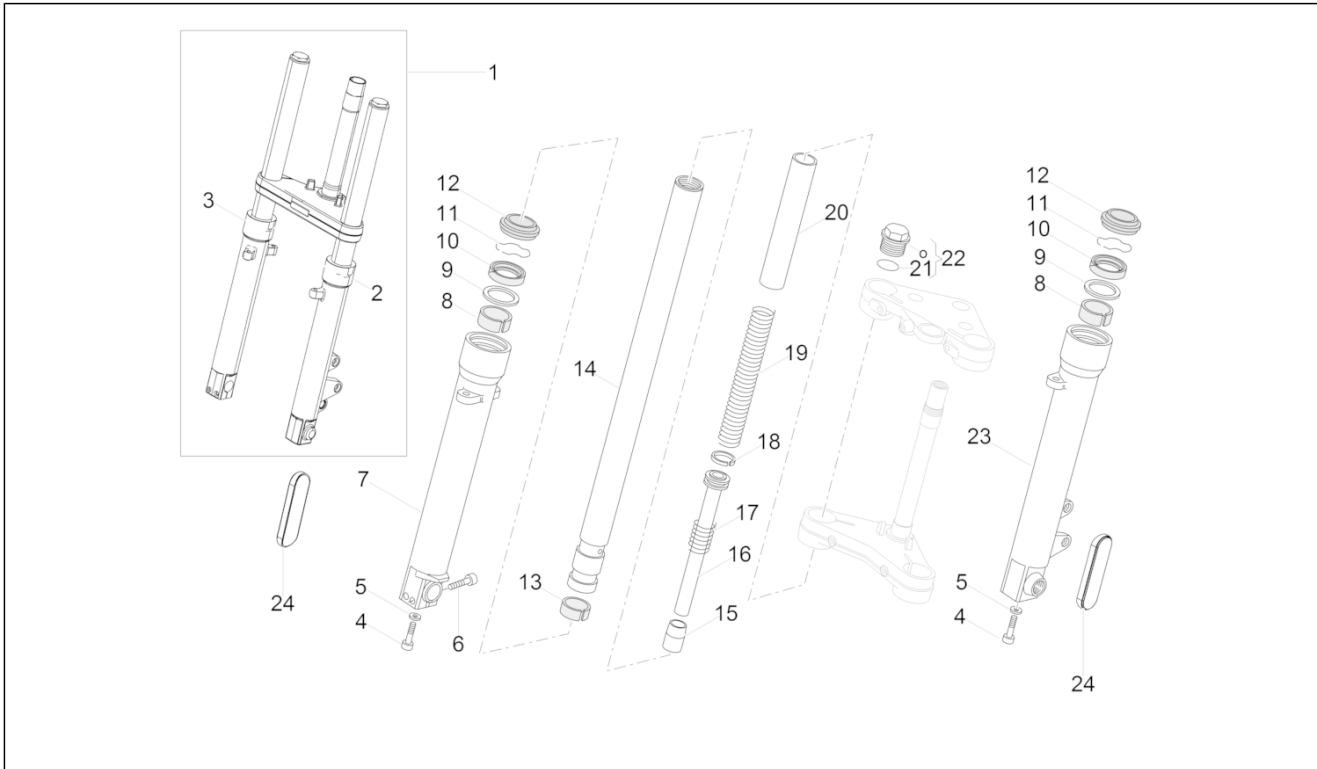
Pos.	Code	Description	Qty	Variants
1	2B005012	Nut	1	Technical Specification: New fastening[NF]
1	976649	Nut M25x1,5	2	Technical Specification: Old fastening[OF]
2	2B000404	Gasket ring	1	
3	2B001311	Spacer	1	
4	GU90706188	Gasket ring 18,77X1,78	1	
5	GU90706584	Gasket 58,42x2,62	1	
6	GU01528930	Gasket 10x18x1,5	2	
7	GU31003766	Oil unload plug M10x1	1	
8	224566	Washer	1	
9	GU05351230	Oil plug M12x1,5	1	
10	GU37359005	Washer	1	
11	2B001307	Spacer	1	
12	GU90413850	Gasket ring 38X50X7	1	
13	GU12351100	Gasket ring	1	
14	GU92254340	Roller bearing 40x55x17	1	
15	2B002200	Washer for shafts	1	
16	B064304	Circlip	1	
17	GU19351100	Clearance washer	1	
18	2B002536	Crown fixing ring nut	1	
19	GU90706958	O-ring 158,42X2,62	1	
20	GU04355100	Tickness 0,6 mm	1	
20	GU04355101	Tickness 0,7 mm	1	
20	GU04355102	Tickness 0,8 mm	1	
20	GU04355103	Tickness 0,9 mm	1	
20	GU04355104	Tickness 1 mm	1	
20	GU04355105	Tickness 1,1 mm	1	
20	GU04355106	Tickness 1,2 mm	1	
21	2B002807	Cap	1	

Group	Engine
Code	03.350
Description	Rear transmission / Components
Service	1



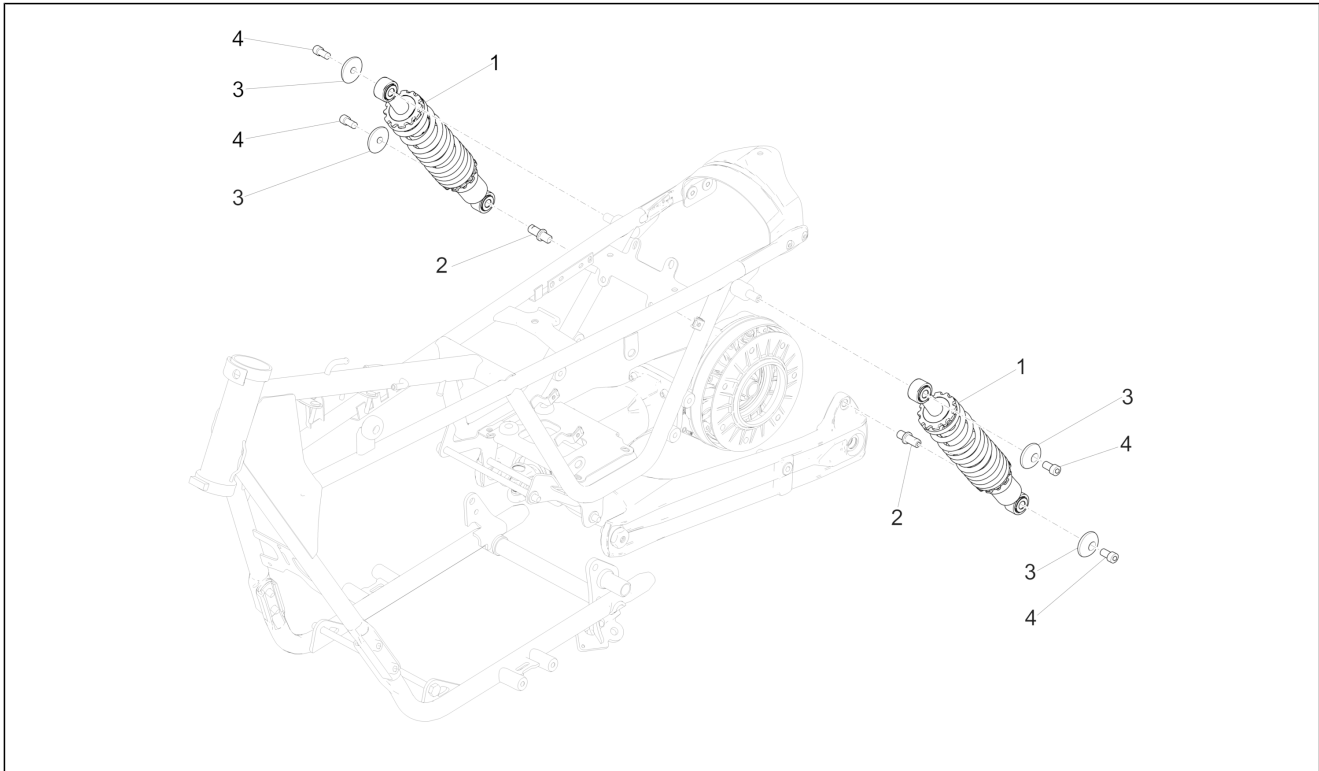
Pos.	Code	Description	Qty	Variants
22	2A000823	Breather plug	1	
23	2B0033875	Complete flange	1	
24	2B002535	Gasket ring 80x100x10	1	
25	2B007759	Flexible couplings hub	1	Technical Specification: New rear transmission[NT]
25	2B001303	Flexible couplings hub	1	Technical Specification: Old rear transmission[OT]
26	GU14615901	Washer 8,4X13X0,8	8	
27	2B002171	Special cap screw 8x25	8	
28	2B007243	Gasket ring 26x42x7	1	Technical Specification: New rear transmission[NT]

Group	Suspensions
Code	04.060
Description	Front fork Kaifa
Service	1



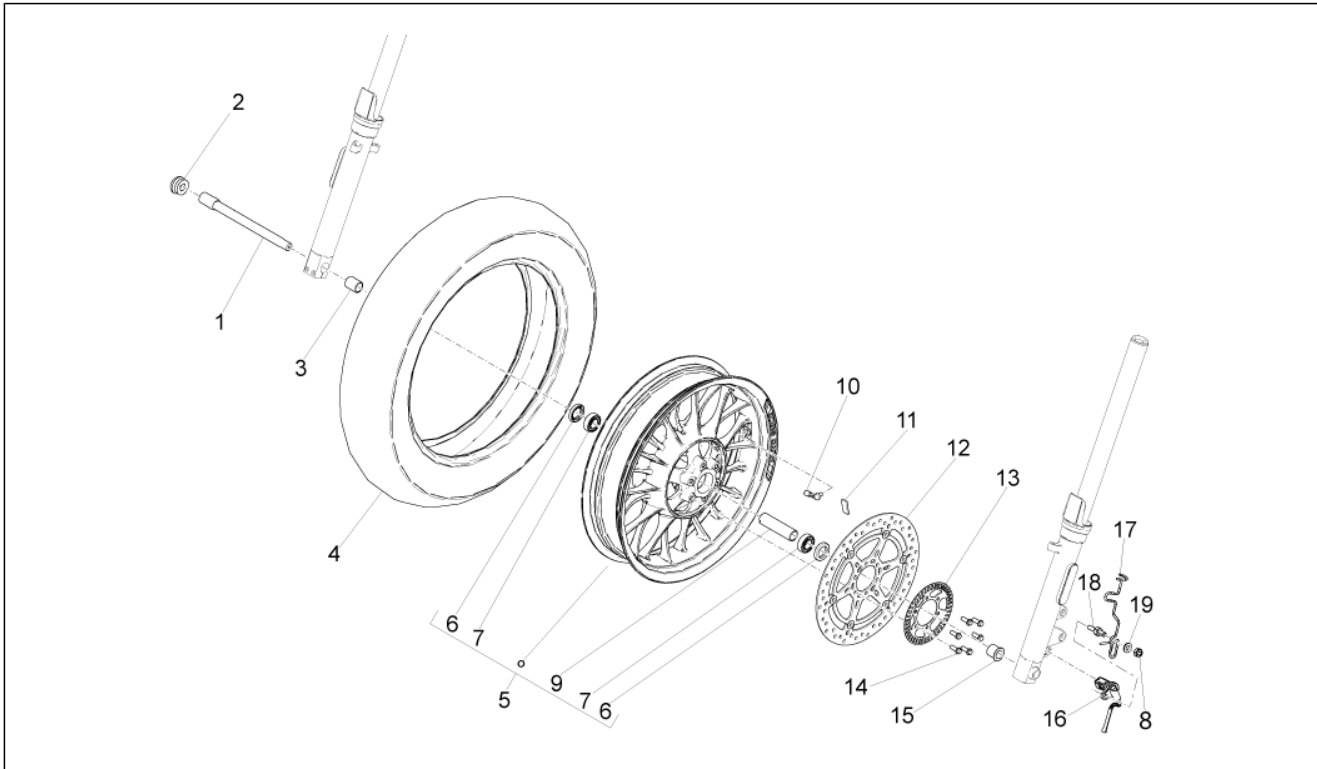
Pos.	Code	Description	Qty	Variants
1	2B002192	Front fork assembly	1	
2	2B002295	LH sleeve and rod	1	
3	2B002294	RH sleeve and rod	1	
4	887878	screw M10x30	2	
5	887879	Washer	2	
6	887880	screw	2	
7	2R000109	RH sleeve	1	
8	887882	Upper bush	2	
9	887883	Washer	2	
10	887884	Gasket ring	2	
11	887885	Stop ring	2	
12	887886	Dust cover	2	
13	887888	Bush	2	
14	2B003742	RH-LH stanchion	1	
15	887889	Pad	2	
16	887891	Plunger, complete	2	
17	887890	Return spring	2	
18	887905	Ring	2	
19	2R000243	Spring	2	
20	887893	pipe	2	
21	887916	O-ring 4118	2	
22	887894	Plug cpl.	2	
23	2R000110	LH sleeve	1	
24	GU05781630	Reflector, amber	2	

Group	Suspensions
Code	04.080
Description	Shock absorber
Service	1



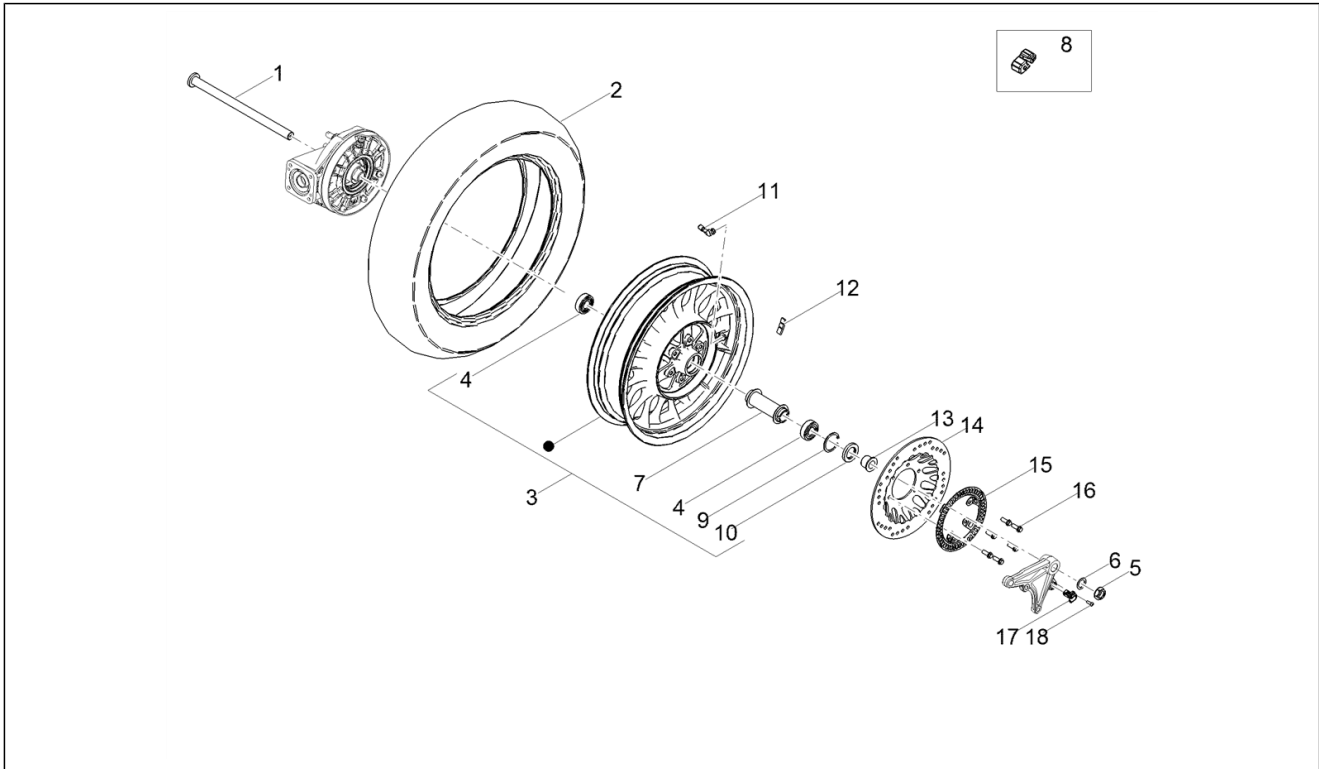
Pos.	Code	Description	Qty	Variants
1	2B004750	Rear shock absorber	2	
2	2B003111	Shock absorber pin	2	
3	B063174	Bush	4	
4	884031	Precoated SHC screw M6x14	4	

Group	Wheels
Code	05.010
Description	Front wheel
Service	1



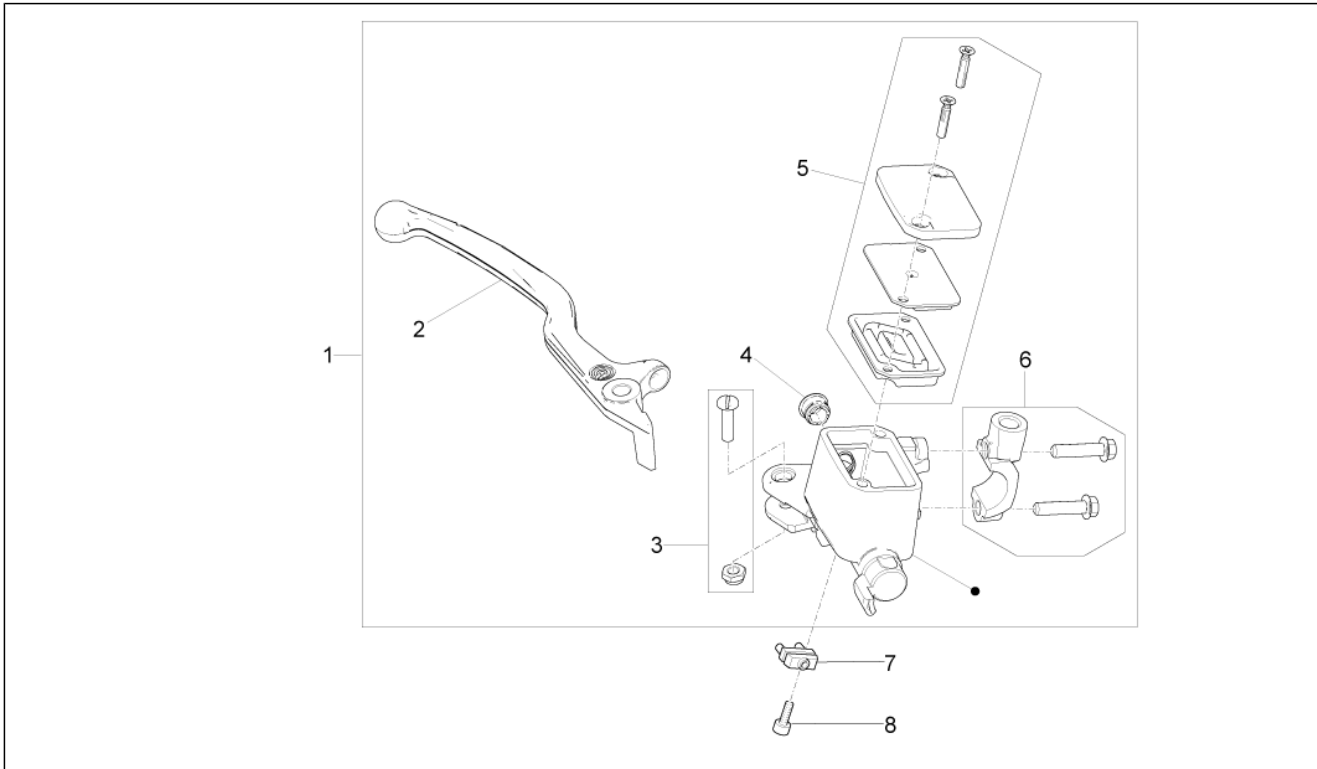
Pos.	Code	Description	Qty	Variants
1	2B001139	Front wheel spindle	1	
2	GU93180111	Cover 15 mm	1	
3	GU32615660	RH spacer	1	
4	2B002380	Front tyre 100/90 - 19	1	
5	2B001058	Front wheel 2.5X19" with bearings	1	
6	GU90402642	Gasket ring	2	
7	GU92204221	Bearing	2	
8	GU92630207	Nut	1	
9	2B001073	Front wheel internal spacer	1	
10	GU03617710	Tubeless tyre valve	1	
11	GU14616150	Counterweight	1	
12	883688	Front brake disc 320	1	
13	887875	Phonic wheel	1	
14	887762	Flanged TE screw M8x22	6	
15	GU31616384	LH spacer	1	
16	859792	ABS sensor	2	
17	2B001561	Fairlead	1	
18	2B001708	Spacer	1	
19	AP8150178	Washer 6,4x12,5*	1	

Group	Wheels
Code	05.020
Description	Rear wheel
Service	1



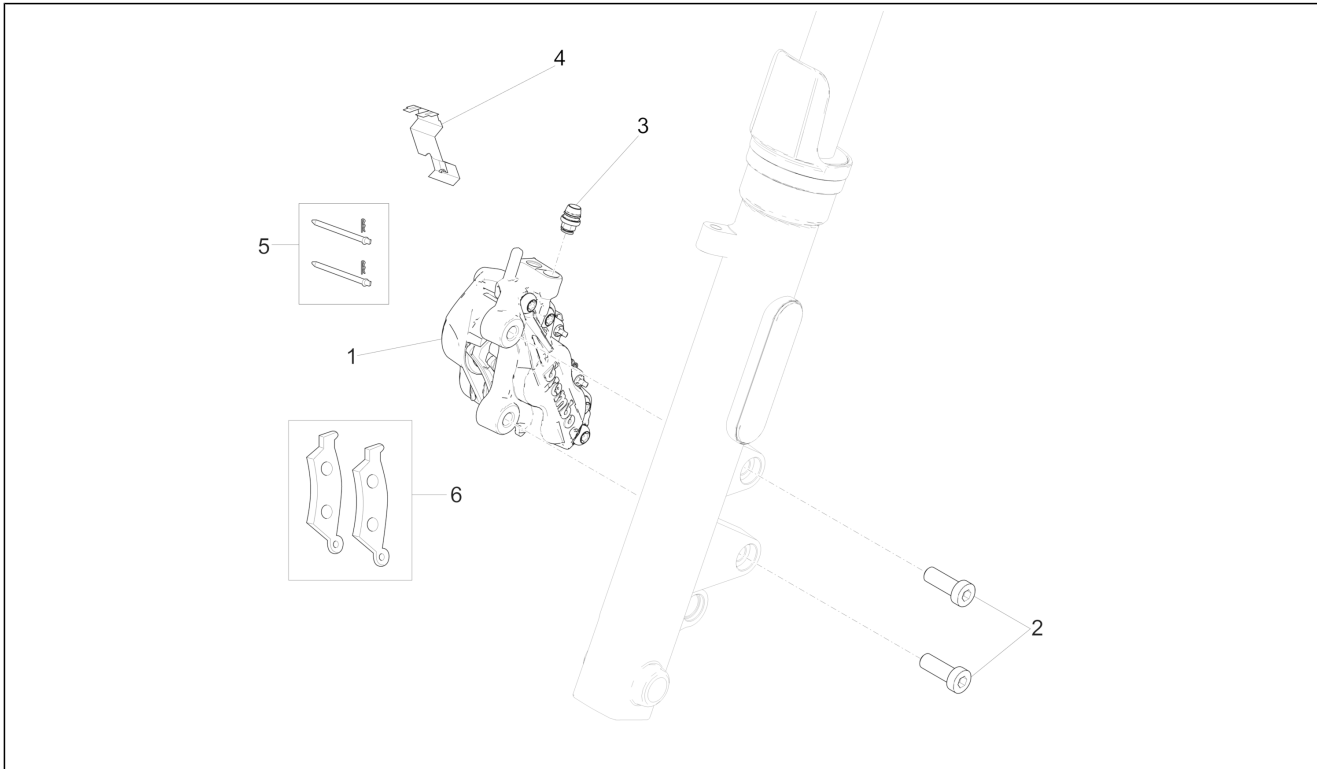
Pos.	Code	Description	Qty	Variants
1	2B001310	Rear wheel spindle	1	
2	2B002381	Rear tire 150/80 - 16	1	
3	2B002448	Rear rim 4X16" with bearings	1	
4	GU92204220	Ball bearing 20X47X14	2	
5	648708	Rear wheel spindle nut	1	
6	AP8125687	Wheel pin washer	1	
7	2B001279	Rear wheel spacer set	1	
8	GU32632510	Rubber coupling	6	
9	GU90272047	Circlip 47X50,5	1	
10	AP8110109	Gasket ring 28X47X7	1	
11	GU03617710	Tubeless tyre valve	1	
12	GU14616150	Counterweight	1	
13	2B001956	Rear wheel spacer	1	
14	887448	Brake disc	1	
15	2B004396R	Phonic wheel	1	
16	887762	Flanged TE screw M8x22	6	
17	859792	ABS sensor	1	
18	1C001499	TBEI TORX screw M5x16 INOX	1	

Group	Brake system
Code	06.010
Description	Front master cilinder
Service	1



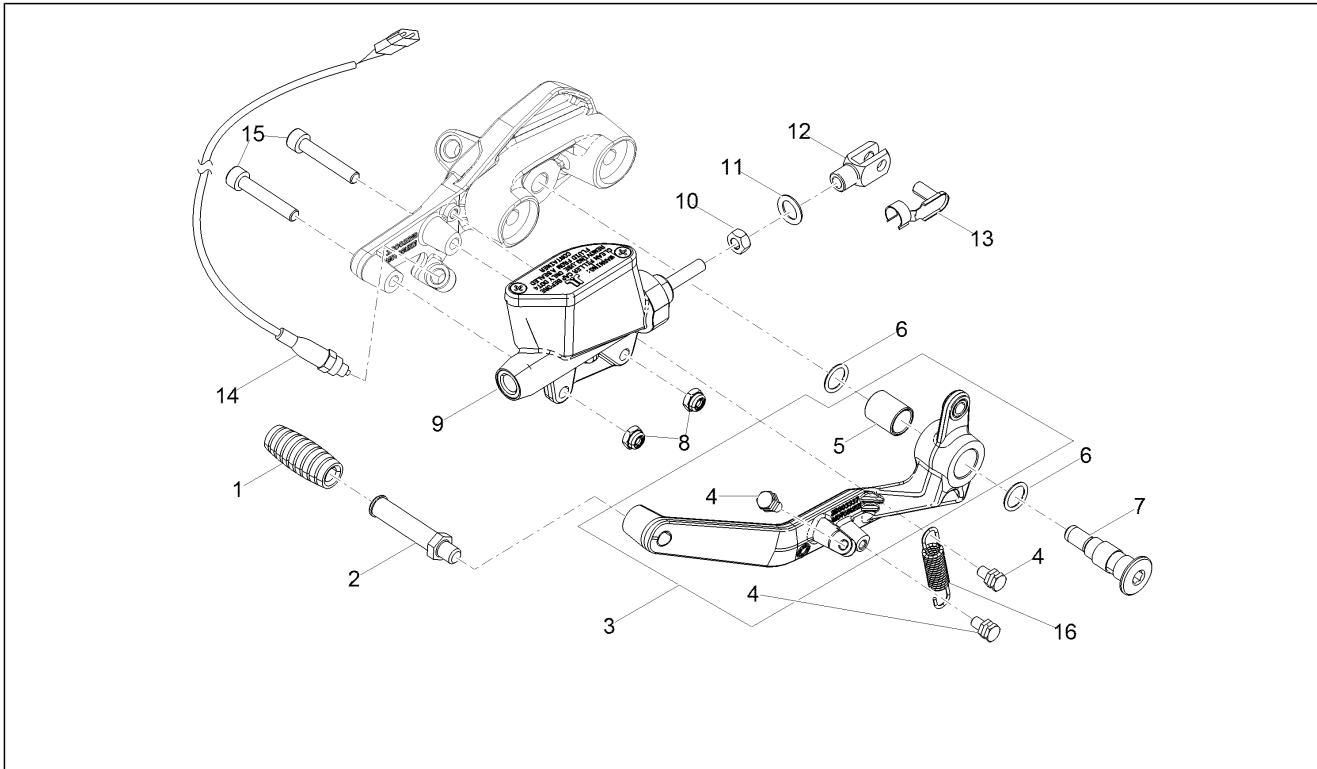
Pos.	Code	Description	Qty	Variants
1	2B002269	Front master cilinder	1	
2	2B003041	Replacement lever	1	
3	2B003040	Replacement lever pivot complete with nut	1	
4	2B001930	Replacement front brake master cylinder sight glass	1	
5	2B003039	Replacement cap complete with membrane and screws	1	
6	2B001929	Bracket	1	
7	GU03749845	Stop switch	1	
8	AP8152043	Hex socket screw M4x10	1	

Group	Brake system
Code	06.020
Description	Front brake caliper
Service	1



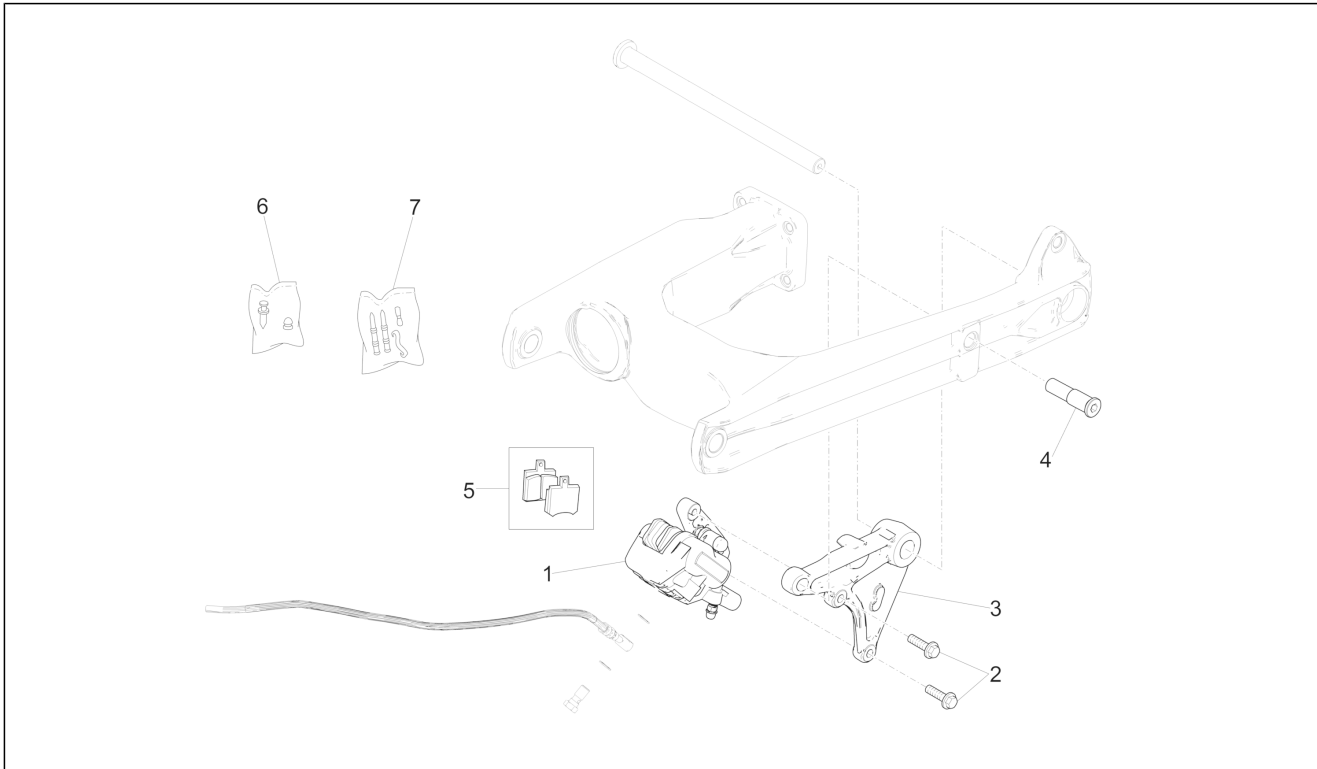
Pos.	Code	Description	Qty	Variants
1	2B003271	LH front brake caliper	1	
2	AP8152385	Hex socket screw M10x1,25	2	
3	GU05659230	Bleeder+cap	1	
4	GU01659131	Spring	1	
5	GU01659130	Pins+Caliper springs	1	
6	2B003313	Pads pair	1	

Group	Brake system
Code	06.030
Description	Rear master cylinder
Service	1



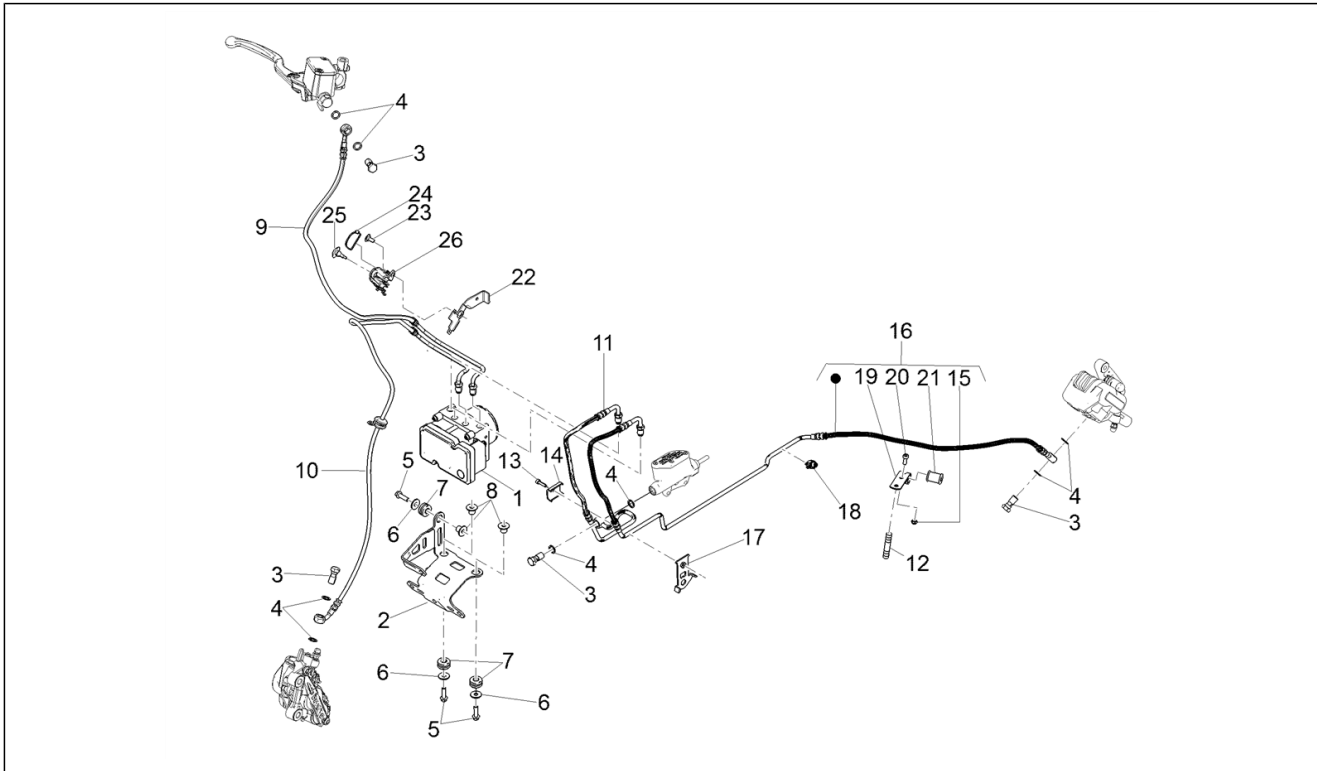
Pos.	Code	Description	Qty	Variants
1	AP8120912	Lever rubber	1	
2	887908	Rubber pedal	1	
3	2B003336	Rear brake control lever	1	
4	859946	Fixing pin	3	
5	895328	Sintered bushing	1	
6	AP8144007	O-ring 11,11x1,78	2	
7	884033	Lever pin	1	
8	GU92630206	Self-locking nut M6x1	2	
9	2B002189	Rear brake master cylinder with reservoir	1	
10	GU92606206	Nut	1	
11	AP8120178	O-ring OR112	1	
12	AP8113081	Fork	1	
13	AP8113082	Gear selector fork clips	1	
14	2D0002805	stop Button	1	
15	AP8150285	Hex socket screw M6x35	2	
16	AP8121927	Rear brake lever spring	1	

Group	Brake system
Code	06.040
Description	Rear brake caliper
Service	1



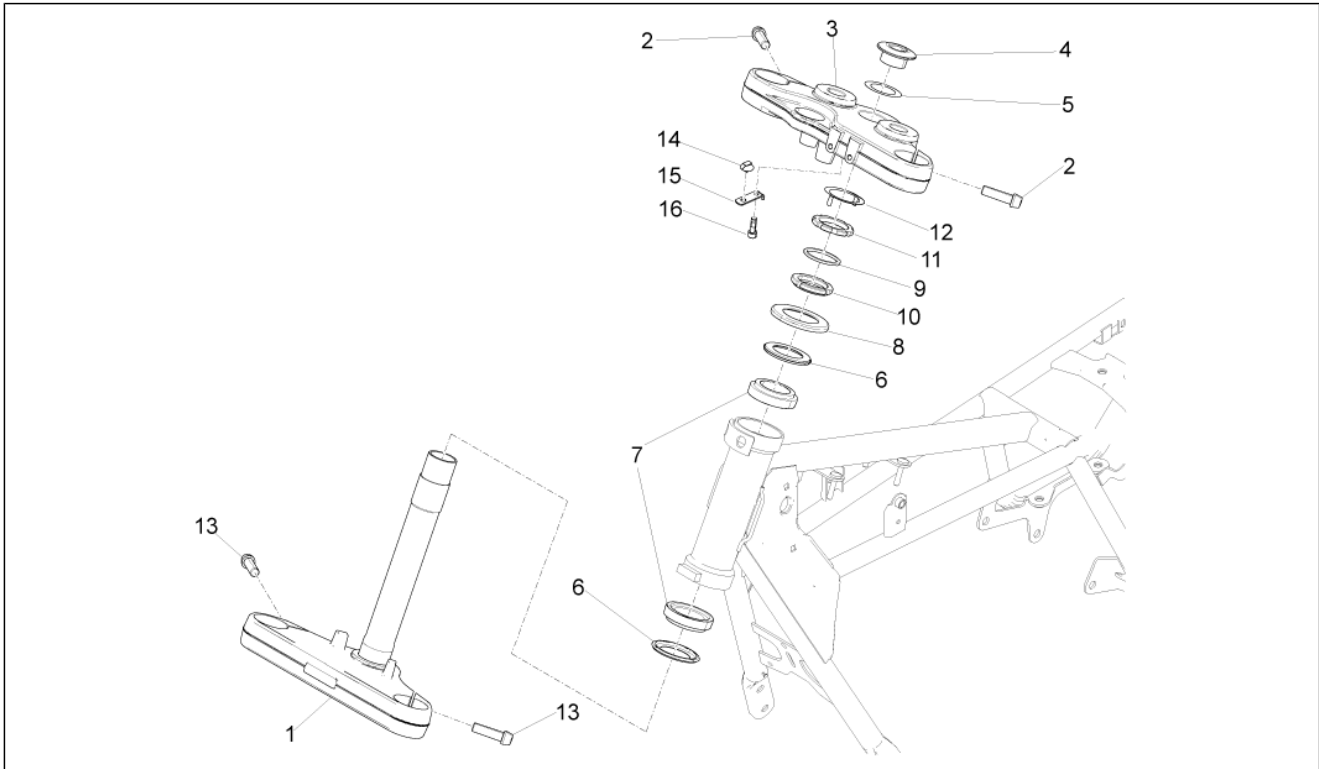
Pos.	Code	Description	Qty	Variants
1	2B000525	Rear brake caliper	1	
2	AP8152288	Screw w/ flange M8x30	1	
3	2B003357	Brake caliper support plate	1	
4	GU31544181	Pin	1	
5	2R000248	Brake pads couple	1	
6	GU31659281	Bleeder+cap	1	
7	GU31659181	Pins+spring kit	1	

Group	Brake system
Code	06.050
Description	ABS Brake system
Service	1



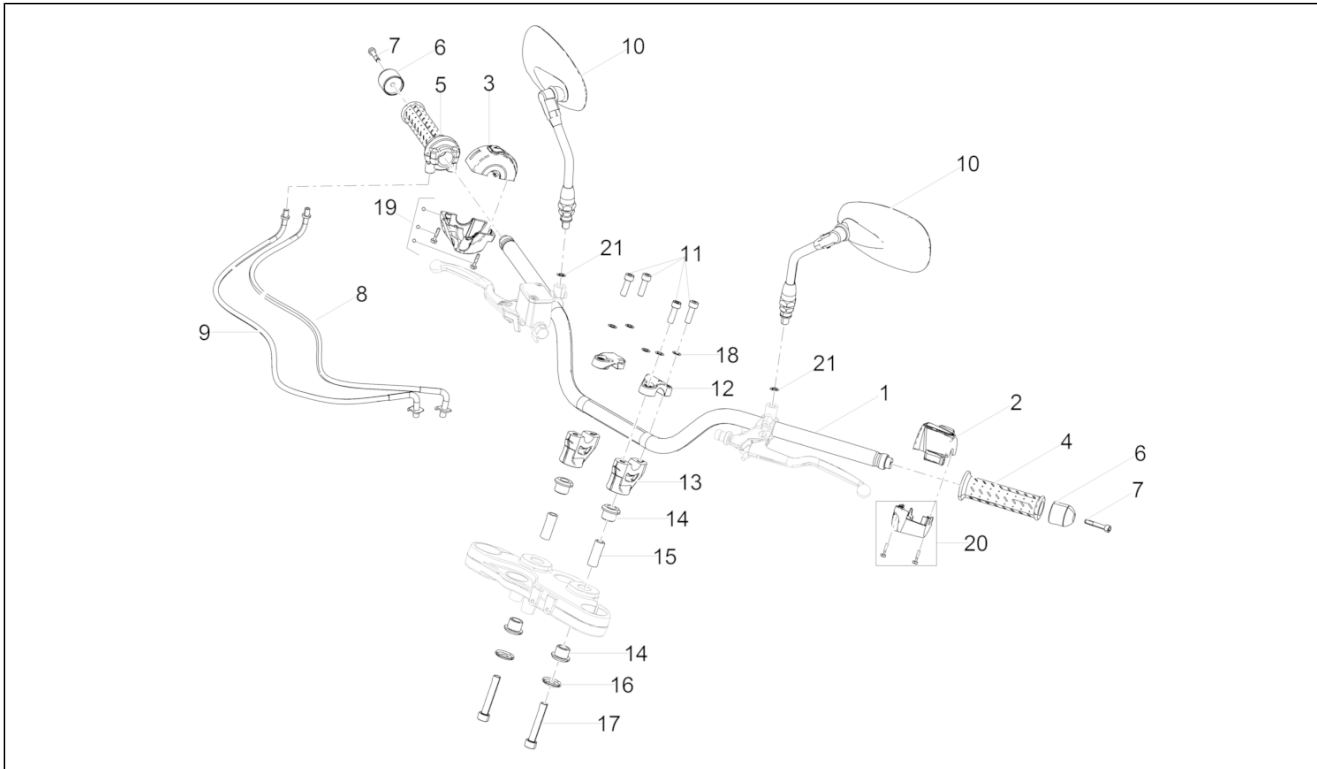
Pos.	Code	Description	Qty	Variants
1	2D000102	ABS control unit	1	
2	2B003056	Control unit sup. bracket	1	
3	AP8113003	Oil pipe screw	4	
4	AP8113004	Washer 10x14x1,6*	8	
5	2B004560	M6x20 pre-coated hex head screw	3	
6	AP8150015	Washer 6,6x18x1,6*	3	
7	AP8120030	Rubber spacer	3	
8	AP8221023	T bush	2	
9	2B002804	ABS HECU pipe - Front pump	1	
10	2B002805	ABS HECU pipe - Front clamp	1	
11	2B004618	ABS HECU pipe - Rear pump	1	
12	GU96451316	Stud bolt	1	
13	AP8150493	Hex socket screw M4x16	1	
14	2B001614	Pipe fixing plate	1	
15	AP8150451	Low self-locking nut	1	
16	2B004619	ABS HECU pipe - Rear clamp	1	
17	2B001564	Brake hose holder plate	1	
18	AP8121882	Cable-guide	1	
19	GU03658330	Hose clamp	1	
20	895709	Hex socket screw M5x12	1	
21	GU03658201	Ring	1	
22	2B004457	ABS pipe carrier	1	
23	AP8150500	Hex socket screw M5x9 NERINOX	1	
24	AP8102386	Hose clamp 2,5x160	1	
25	AP8120001	Rubber spacer	1	
26	2B004458	ABS pipe guard	1	

Group	Handlebar - Controls
Code	07.010
Description	Steering
Service	1



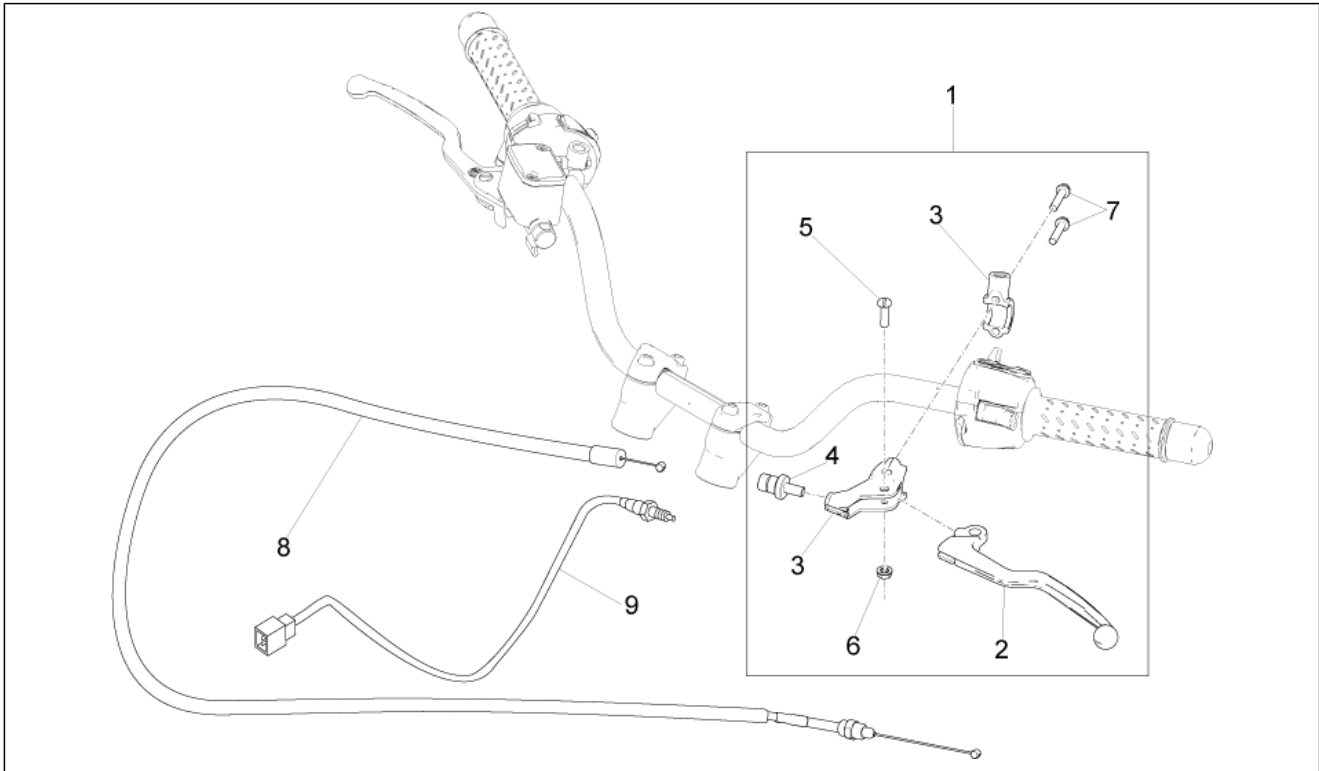
Pos.	Code	Description	Qty	Variants
1	2B003743	Fork lower plate	1	
2	AP8150543	Screw M8x35	2	
3	2B001052	Fork upper plate	1	
4	AP8121205	Upper plate fixing bush	1	
5	AP8152384	Stem plug washer	1	
6	AP8123641	Dust cover ring	2	
7	AP8110077	Axial ball bearing	2	
8	AP8123644	Dust cover ring	1	
9	887831	Rubber spacer	1	
10	AP8123642	Ring nut	1	
11	AP8123643	Return ring nut	1	
12	887832	Steering security plate	1	
13	2B002313	Screw M10x35	2	
14	890760	Instrument support	1	
15	2B003292	Plate	1	
16	GU98210616	Screw w/ flange M6x16 inox	1	

Group	Handlebar - Controls
Code	07.020
Description	Handlebar - Controls
Service	1



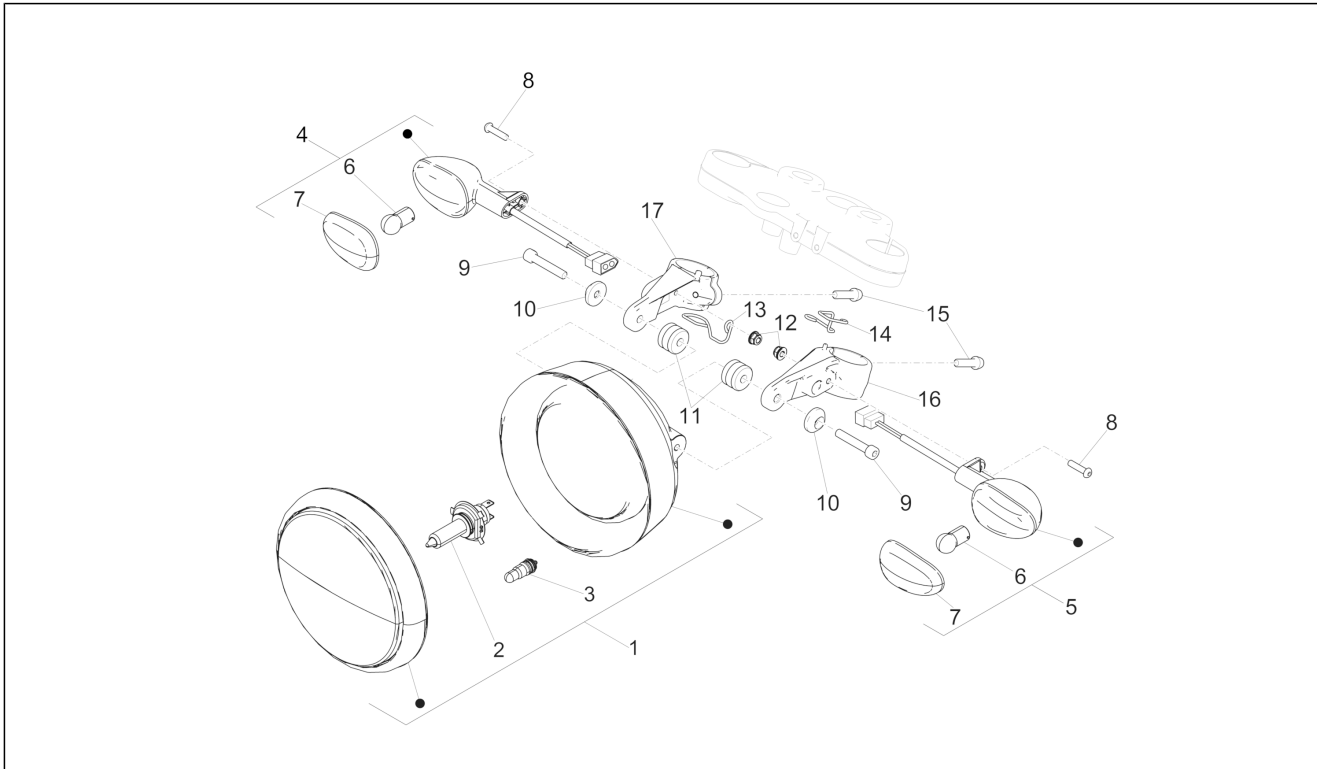
Pos.	Code	Description	Qty	Variants
1	2B001163	Handlebar	1	
2	2D000227	LH handlebar control set	1	
3	2D000226	RH handlebar control set	1	
4	AP8118579	LH hand grip	1	
5	2B002364	RH hand grip	1	
6	GU32602860	Anti.v weight, chr.	2	
7	2B002195	Pre-coated IX M6X35 SHC screw	2	
8	2B002702	Gas trasmission return	1	
9	2B002701	Gas trasmission delivery	1	
10	883802	RH/LH rearview mirror	2	
10	978570	Rearview mirror	2	
11	GU98692425	Hex socket screw M8x25	4	
12	2B001148	Handlebar clamp	2	
13	2B002471	Lower U-bolt	2	
14	AP8144222	Rubber spacer	4	
15	854827	Spacer 10,1x14,1x38	2	
16	2B002875	Cup	2	
17	AP8150049	screw M10x60	2	
18	GU14615901	Washer 8,4X13X0,8	4	
19	2D000163	Lower shell DX	1	
20	2D000218	Lower shell SX	1	
21	GU91181003	Spacer 10,25X20X4	2	

Group	Handlebar - Controls
Code	07.030
Description	Clutch control
Service	1



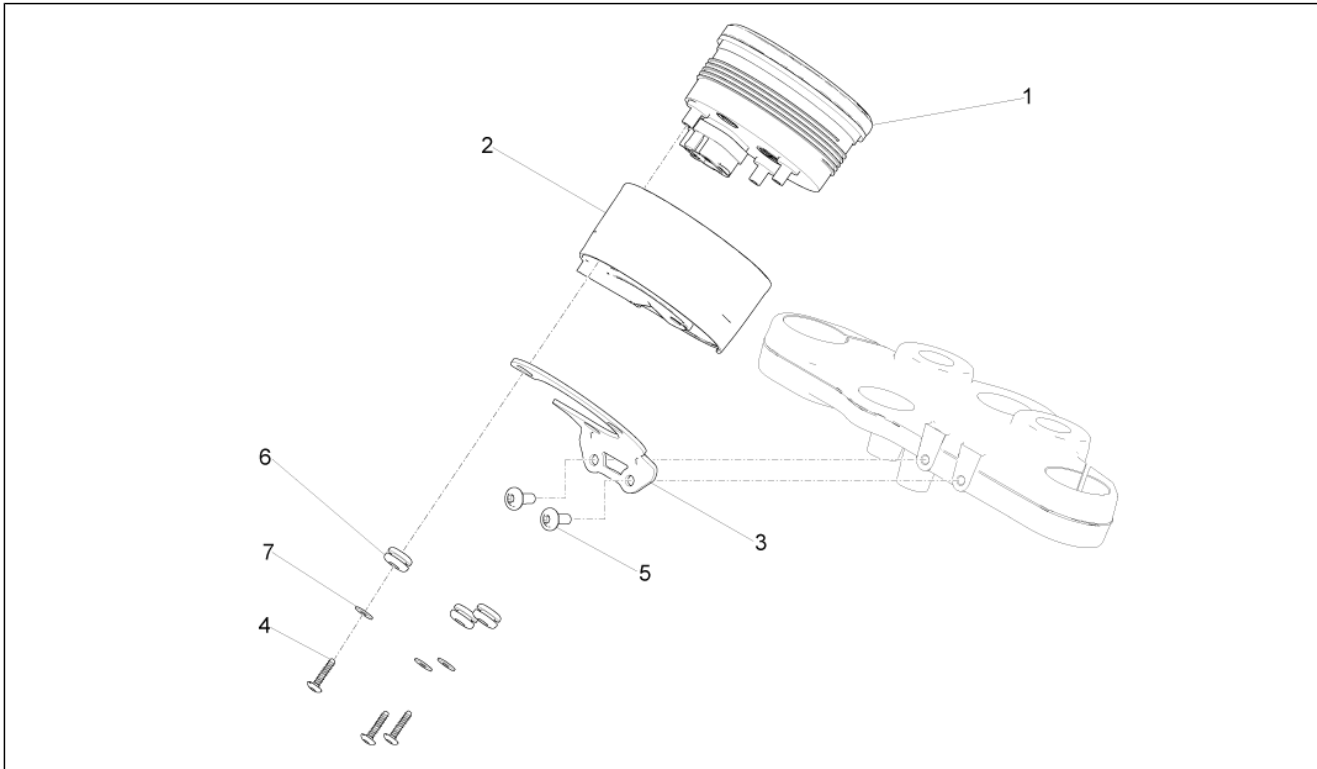
Pos.	Code	Description	Qty	Variants
1	2B002391	Clutch control lever set	1	
2	2B002390	Lever	1	
3	GU30601060	Clump	1	
4	GU30602500	Register	1	
5	AP8213028	screw	1	
6	AP8213388	Self-locking nut	1	
7	GU97202325	Black screw w/ flange M6x25	2	
8	2B002842	Clutch cable	1	
9	2D0002885	clutch switch	1	

Group	Lights - Instruments
Code	08.010
Description	Front lights
Service	1



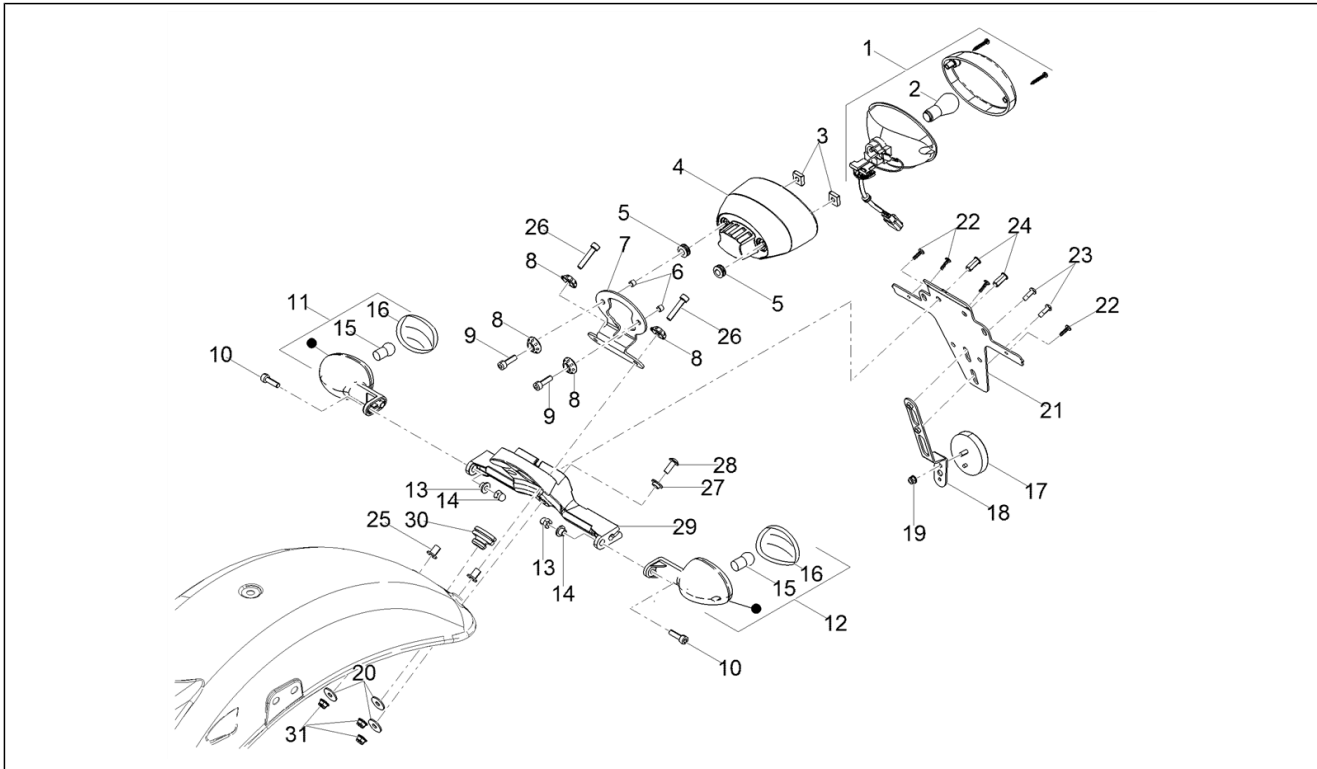
Pos.	Code	Description	Qty	Variants
1	2D000386	Reflector, assy.	1	
2	292723	Lamp H4 12V-60/55W	1	
3	292022	Lamp 12V-5W	1	
4	2D000261	Front right turn indicator	1	
5	2D000262	Front left turn indicator	1	
6	584332	Lamp 12V-10W	2	
7	639338	Turn indicator lens	2	
8	GU98612320	Hex socket screw M6x20	2	
9	2B004771	Screw TCEI M8x50	2	
10	AP8121199	Bush	2	
11	2B002011	Headlamp spacer	2	
12	AP8152299	Self-locking nut M6	2	
13	2B003164	Fairlead	1	
14	2B003165	Fairlead	1	
15	AP8150053	Hex socket screw M6x25	2	
16	2B001231	LH headlamp mount	1	
17	2B001182	RH headlamp mount	1	

Group	Lights - Instruments
Code	08.020
Description	Instruments
Service	1



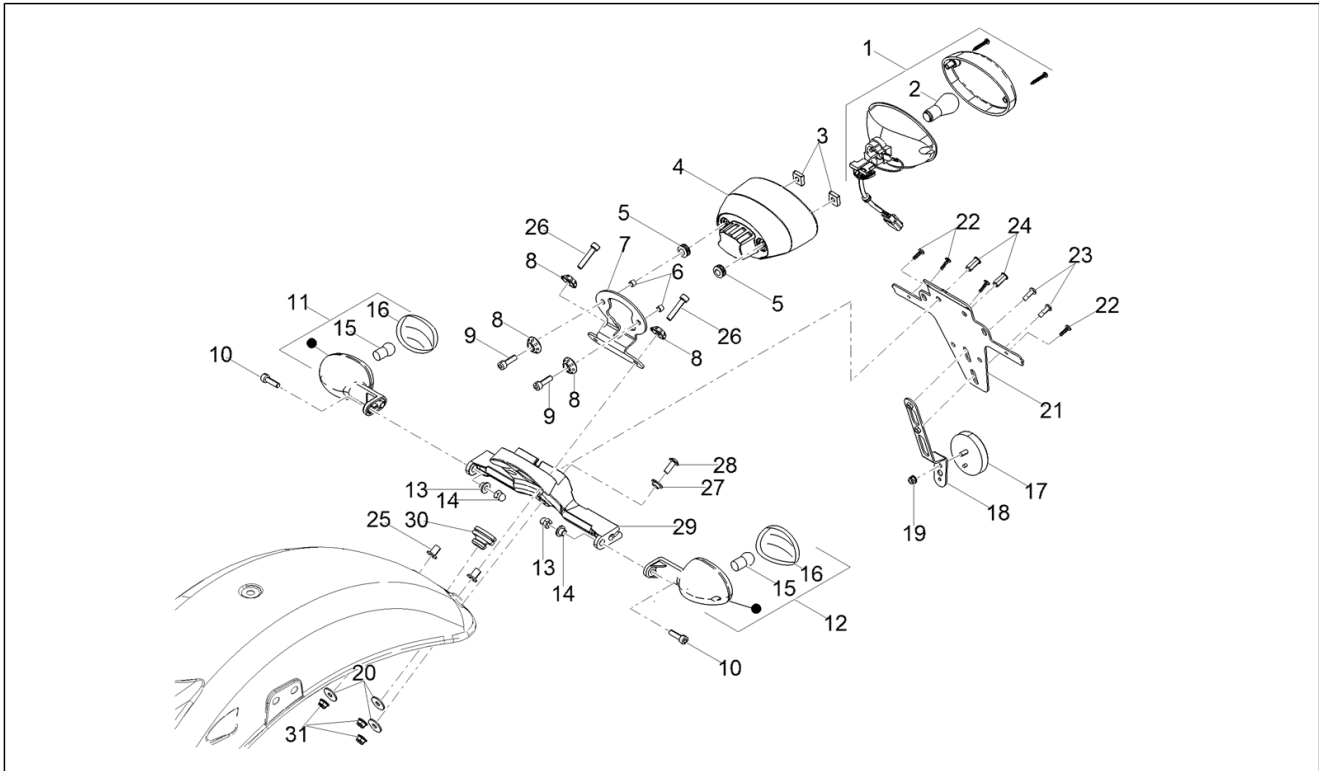
Pos.	Code	Description	Qty	Variants
1	2D000449	Instrument cluster, Km/h	1	
2	2B001223	Instrument panel cover	1	
3	2B001154	Instrument support	1	
4	CM178609	Self-tap screw	3	
5	GU98210610	screw	2	
6	2B003367	Fairlead	3	
7	013763	Flat washer 4,2x12x1	3	

Group	Lights - Instruments
Code	08.030
Description	Rear lights
Service	1



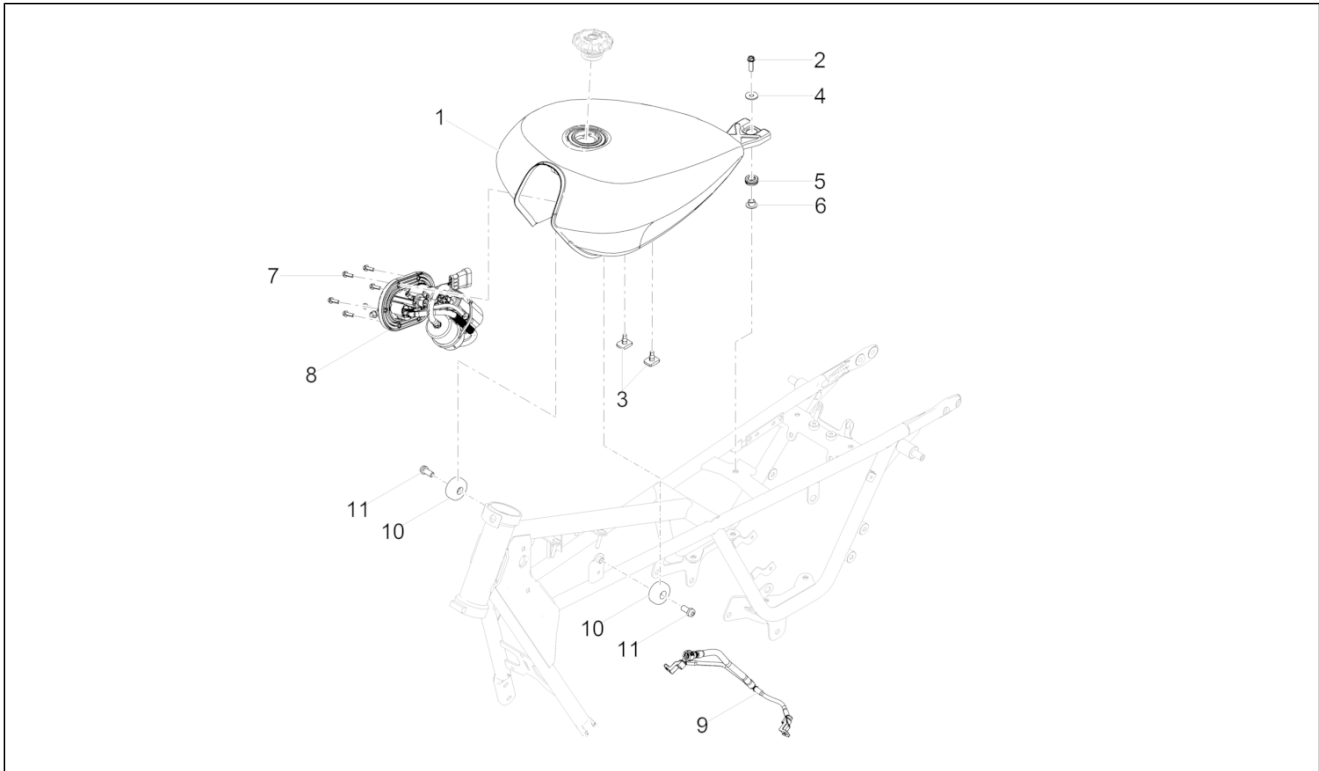
Pos.	Code	Description	Qty	Variants
1	2B002365	Taillight	1	
2	2D000437	Lamp P21W/5 37R	1	
3	2B002443	Square nut M6	1	
4	2B002483	Taillight mount cover	2	
5	AP8220186	Rubber spacer	2	
6	AP8120278	Spacer	2	
7	2B002484	Rear headlight supp.	1	
8	AP8150536	Special washer	4	
9	AP8150053	Hex socket screw M6x25	2	
10	GU98612320	Hex socket screw M6x20	2	
11	2D000255	Right rear turn indicator	1	
12	2D000256	Left rear turn indicator	1	
13	479175	Cap nut	2	
14	840509	Spacer	2	
15	584332	Lamp 12V-10W	2	
16	639338	Turn indicator lens	2	
17	AP8224164	Rear reflector, red	1	
18	AP8134448	Reflector support	1	
19	AP8152306	Self-locking nut M5	1	
20	GU95008306	Washer 6,4x12x1,2	3	
21	2B002541	License plate fastener	1	
22	AP8150413	Self-tap screw 3,9x14	4	
23	B016796	Torx convex big end screw	2	
24	AP8201755	Threaded rivet	2	
25	AP8121725	T bush *	2	
26	GU98682330	Hex socket screw M6x20	2	
27	AP9100053	Bush d.10-h.3,5	1	
28	GU98210616	Screw w/ flange M6x16 inox	1	

Group	Lights - Instruments
Code	08.030
Description	Rear lights
Service	1



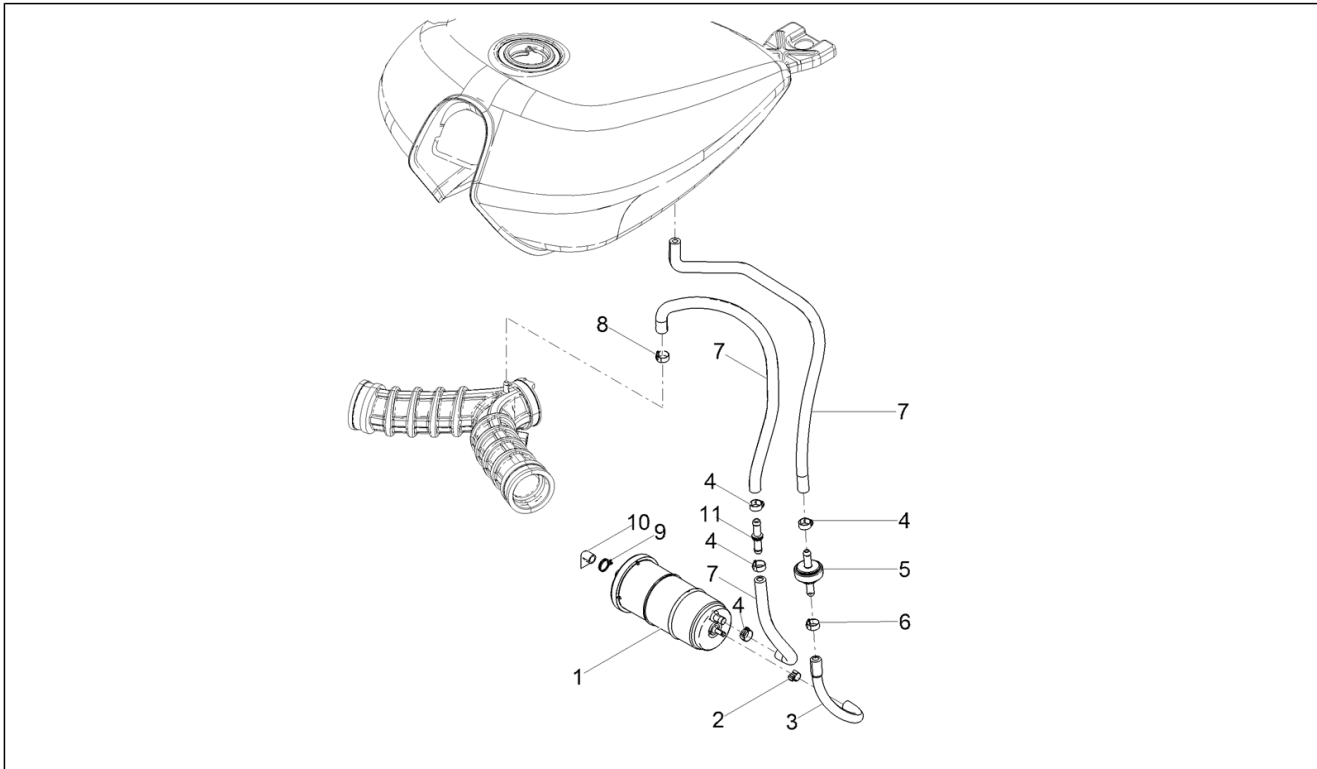
Pos.	Code	Description	Qty	Variants
29	2B002366	Turn indicator support	1	
30	070286	Fairlead	1	
31	AP8150430	Low self-locking nut	3	

Group	Tank
Code	09.010
Description	Fuel tank
Service	1



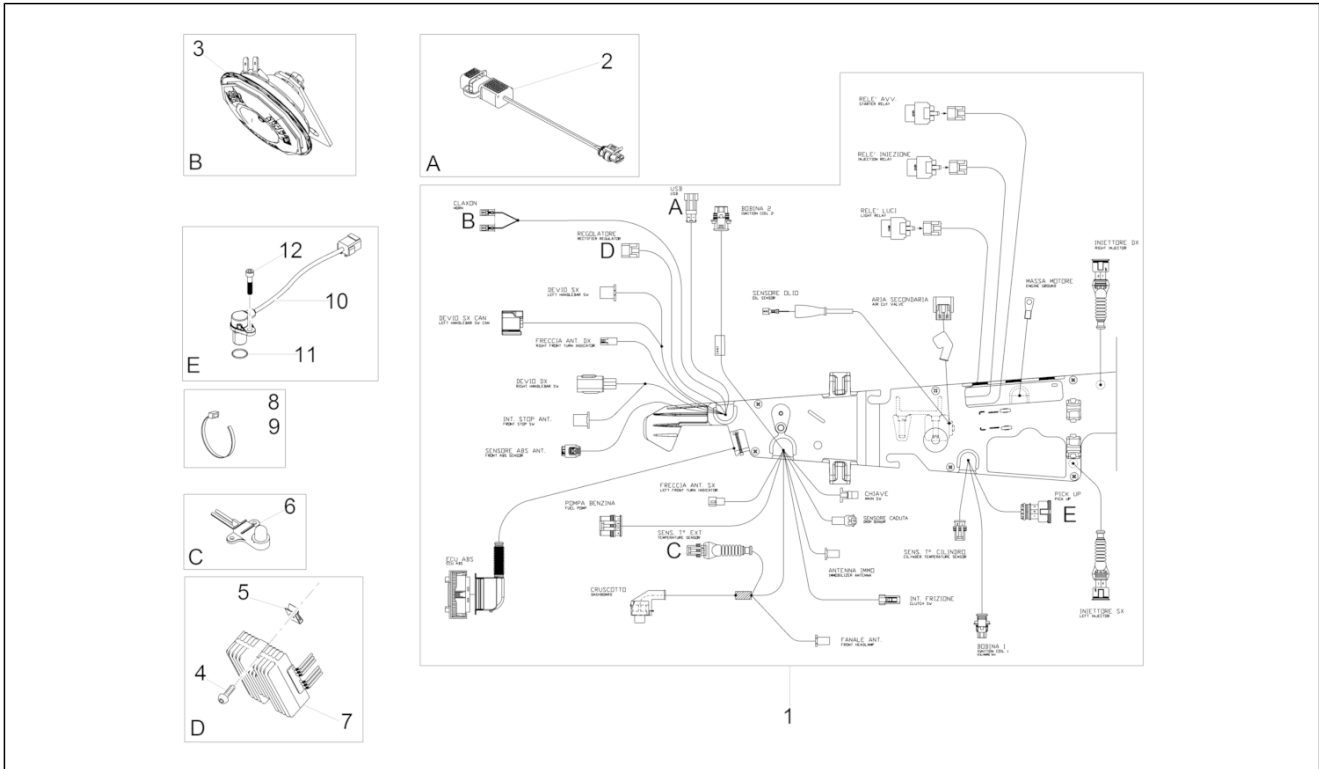
Pos.	Code	Description	Qty	Variants
1	2B001629	Fuel tank	1	Colour:Blank[GR]
1	2H002385500XHB	Fuel tank, grey	1	Technical Specification: With decals applied[D] Colour:Grey[GO]
1	2H002385500YV5	Fuel tank, green	1	Technical Specification: With decals applied[D] Colour:Green[VE]
2	AP8152288	Screw w/ flange M8x30	2	
3	AP8120455	Rubber spacer	2	
4	AP8150018	Washer	1	
5	GU91551131	Rubber spacer	1	
6	2B002944	T bush	1	
7	2B002567	screw TEFL M5X16	6	
8	1D001450	Fuel pump	1	
9	2B002486	Fuel system pipes	1	
10	GU66103415	Rubber spacer	2	
11	GU98882416	M8x16 SHC screw	2	

Group	Tank
Code	09.020
Description	Fuel vapour recover system
Service	1



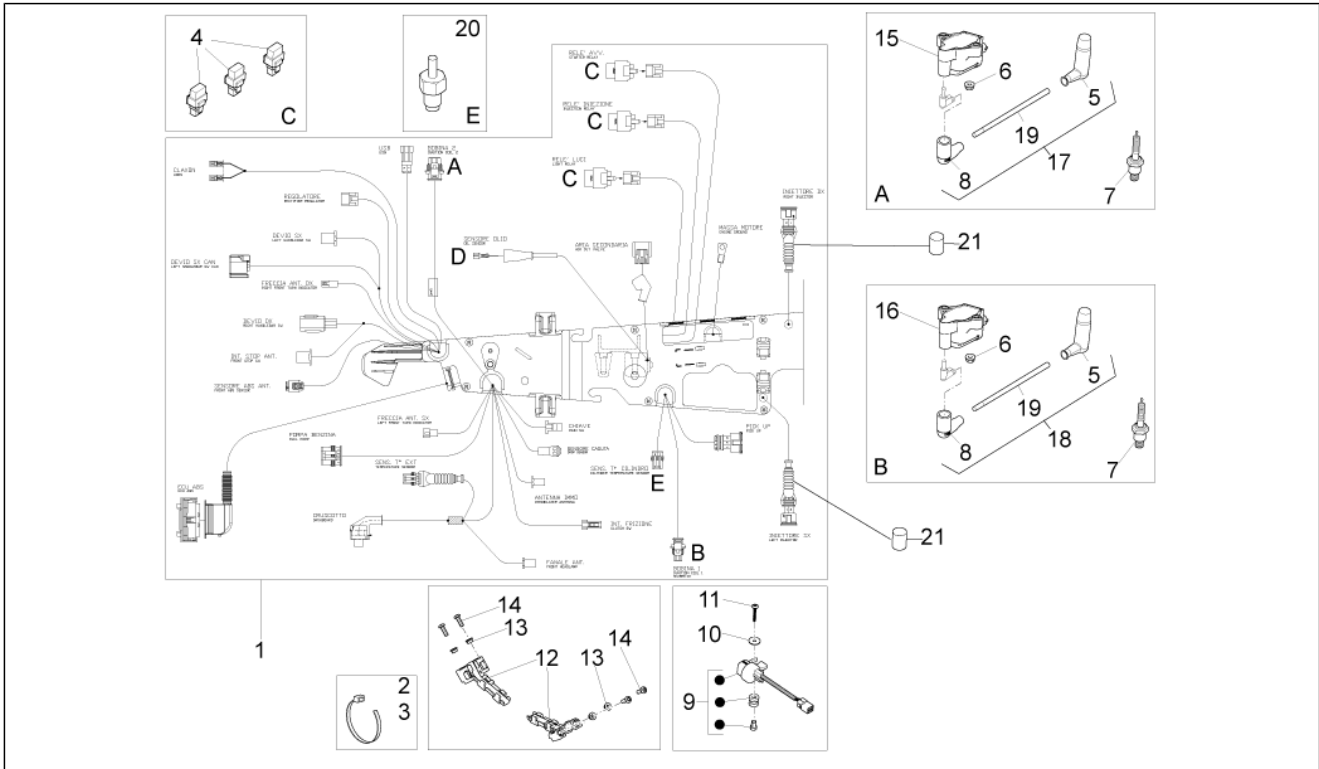
Pos.	Code	Description	Qty	Variants
1	2B002632	Canister	1	
2	AP8102738	Hose clamp	1	
3	2B003042	SAE 30 R12A-3/16 pipe	1	
4	AP8102239	Hose clamp 12,5x8	4	
5	CM179008	Safety valve	1	
6	AP8102159	Hose clamp	1	
7	856063	pipe SAE 30 d.12,7x6,35	2	
8	GU93304360	Hose clamp 7,6x380	1	
9	AP8102520	Hose clamp	1	
10	AP8127601	Ventilation plug	1	
11	2B000219	Joint	1	

Group	Electrical systems
Code	11.010
Description	Front electrical system
Service	1



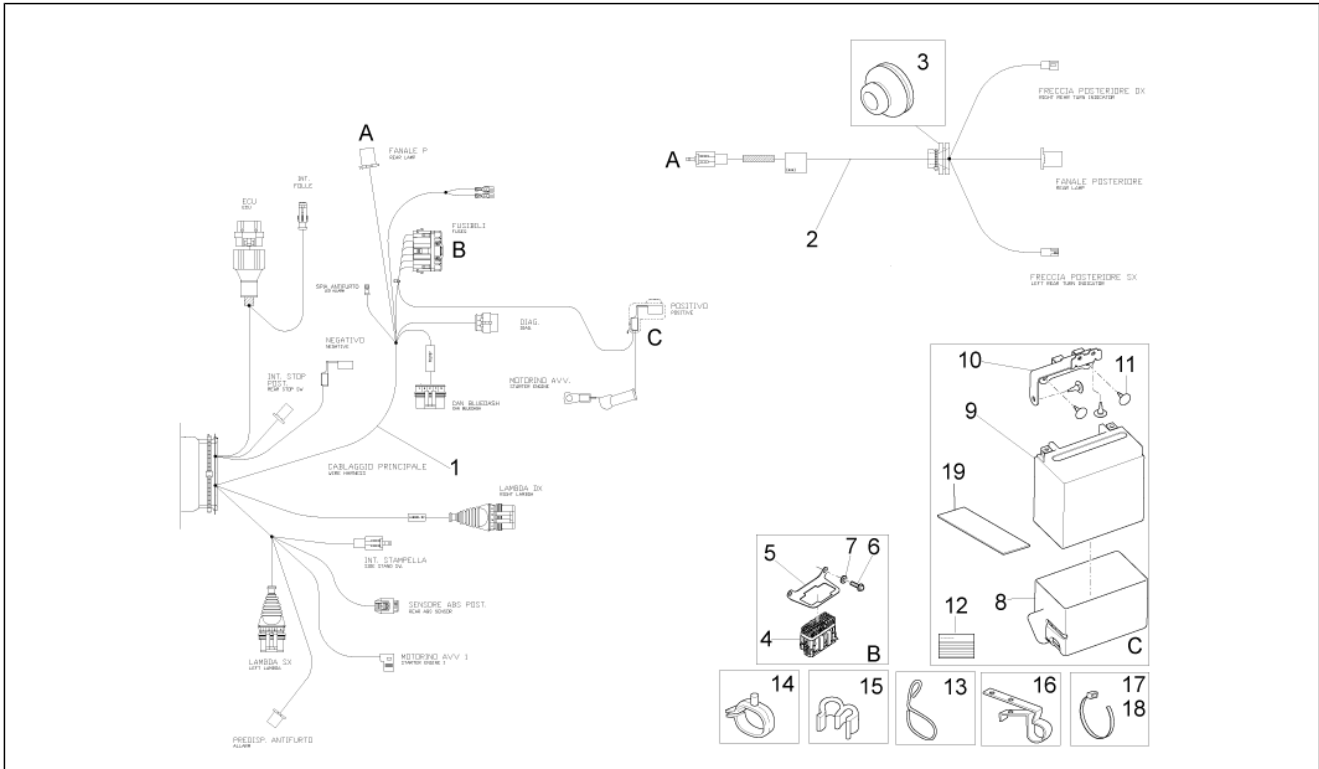
Pos.	Code	Description	Qty	Variants
1	2D000209	Cable harness	1	
2	1D002259R	USB port	1	
3	2B000221	Horn	1	
4	AP8150377	M6x16 cylindrical button head screw	1	
5	254485	Spring plate M6	1	
6	AP8124936	Air temp. Sensor	1	
7	1D001549	Voltage regulator	1	
8	GU49609601	Hose clamp 2,4x92	1	
9	GU14609650	Hose clamp 3,6x20,6	24	
10	832029	Encoder sensor	1	
11	GU90706141	O-ring	1	
12	GU98682314	Hex socket screw M6x14	1	

Group	Electrical systems
Code	11.020
Description	Central electrical system
Service	1



Pos.	Code	Description	Qty	Variants
1	2D000209	Cable harness	1	
2	GU49609601	Hose clamp 2,4x92	1	
3	GU14609650	Hose clamp 3,6x20,6	24	
4	AP8224462	Relay 12V-30A	3	
5	1A010839	Screened cap	2	
6	AP8152299	Self-locking nut M6	4	
7	887481	Spark plug NGK CPR8EB-9	2	
8	641040	Insulating cap	2	
9	680212	Fall sensor	1	
10	GU95005304	Washer 5,2x18x1,5	1	
11	478533	Self-tap screw	1	
12	2B004174	Spark plug cable retainer	2	
13	2B003052	T bushing	4	
14	1A003444	Oval head screw	4	
15	641901	HT coil	1	
16	642034	HT coil DX	1	
17	CM277101	HT wire (450 mm)	1	
18	CM277102	HT wire (580 mm)	1	
19	080341	H.V. cable	1	
20	887421	Temp. Sensor	1	
21	2D000355	Heat shrink cap	1	

Group	Electrical systems
Code	11.030
Description	Rear electrical system
Service	1



Pos.	Code	Description	Qty	Variants
1	2D000209	Cable harness	1	
2	2D000245	Taillight cable set	1	
3	070286	Fairlead	1	
4	584211	Fuse holder box	1	
5	883161	Fuse block support	1	
6	GU98682212	Hex socket screw M5x12	2	
7	GU95100059	Washer 5,25x14x1,5	2	
8	2B002781	Battery cowl	1	
9	638733	Battery Yuasa YTX14-BS 12V-12Ah (150x87x145)	1	
9	1R000319	Battery PTX14-BS 12V 12Ah (Piaggio)	1	
10	B063233	Battery bracket	1	
11	AP8120001	Rubber spacer	4	
12	GU32517710	Decal "Battery service"	1	
13	AP8181140	Fairlead	1	
14	CM013202	Pipes/cables retainer spring	1	
15	894704	Fairlead	9	
16	B043850	Hose clamp	1	
17	GU14609650	Hose clamp 3,6x20,6	24	
18	GU49609601	Hose clamp 2,4x92	1	
19	AP8144552	Lat.battery support rubber	1	